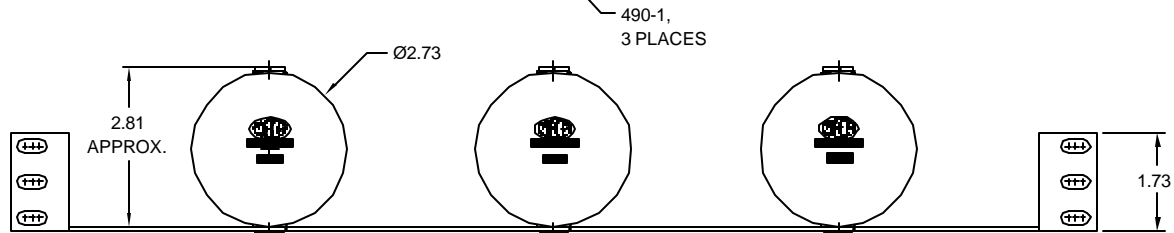
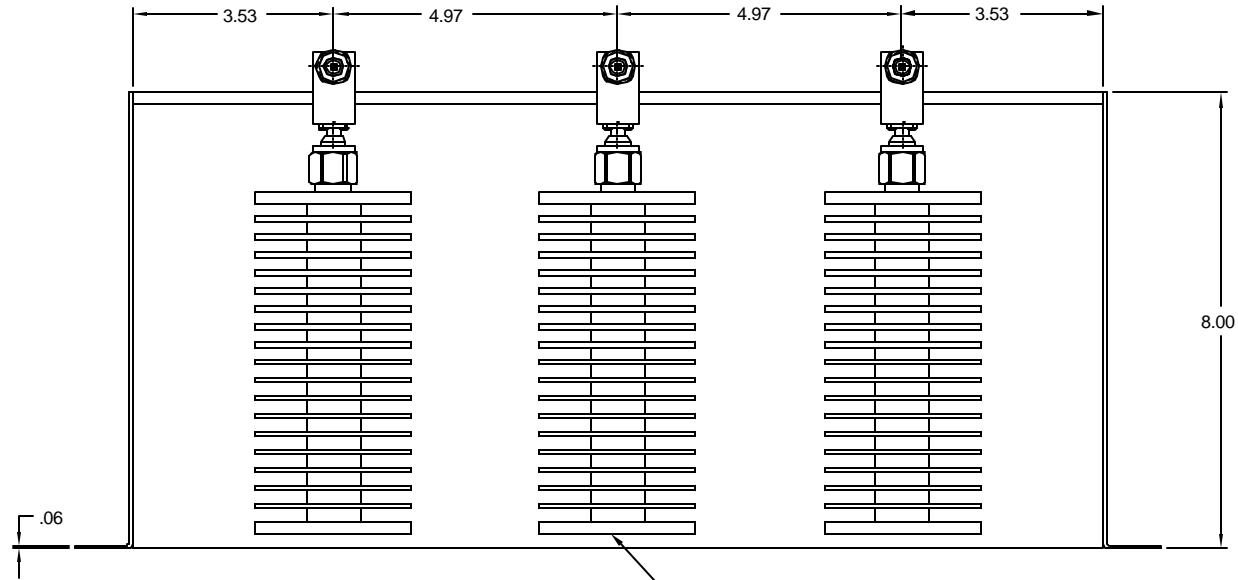
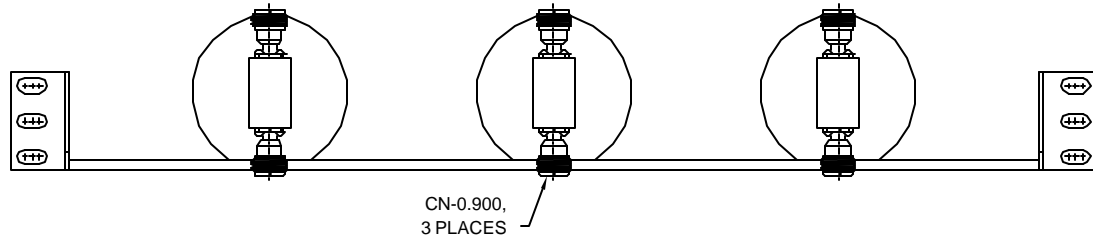

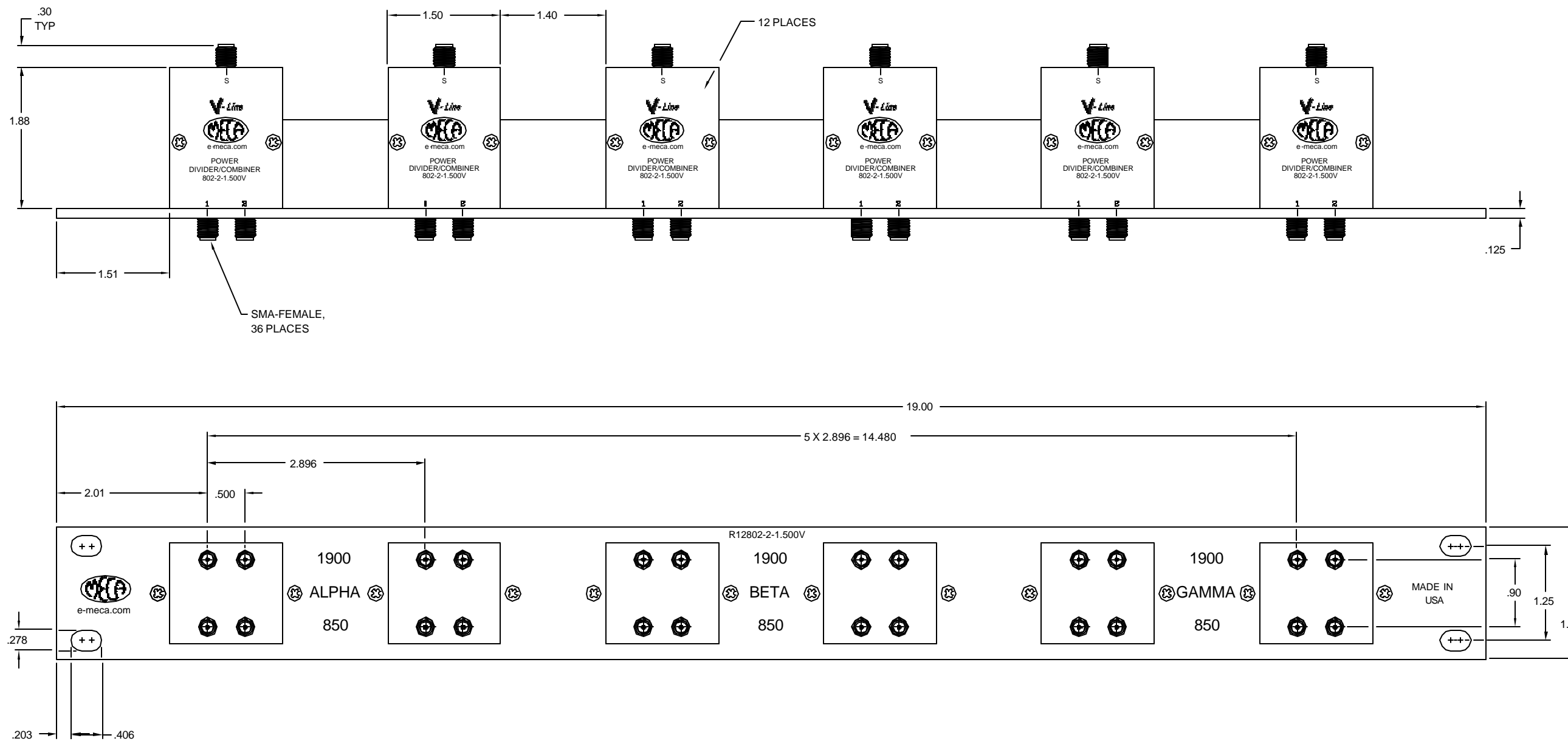




...closing the gap




|   |    |     |          |    |    |           |          |  |   |  |                 |  |
|---|----|-----|----------|----|----|-----------|----------|--|---|--|-----------------|--|
| A | PG | NEW | 07/30/07 | NL | ES | MATERIAL: |          | UNLESS OTHERWISE SPECIFIED, DIMENSIONS ARE IN INCHES |  | ELECTRONICS, INC.<br>DENVER, NEW JERSEY<br>e-meca.com            |                 |  |
|   |    |     |          |    |    | FINISH:   |          |  |   | TOLERANCES<br>2 PLACES: ±.01<br>3 PLACES: ±.005<br>ANGLES: ±1/2° |                 | TITLE<br>ISOLATOR RACK SHELF<br>ASSEMBLY |
|   |    |     |          |    |    | DRAWN:    | DATE:    | TIR: N/A   |   |  |                 |  |
|   |    |     |          |    |    | NL        | 07/25/07 | SCALE: NTS   | SIZE  | CODE IDENT. NO.  | DRAWING NO.     | REV                                      |
|   |    |     |          |    |    | APPROVED: | DATE:    | SHEET: 1 OF 1  | A   | 22424  | GW3CN-0.900/490 | A  |
|   |    |     |          |    |    | ES        | 07/25/07 |  |   |  |                 |  |

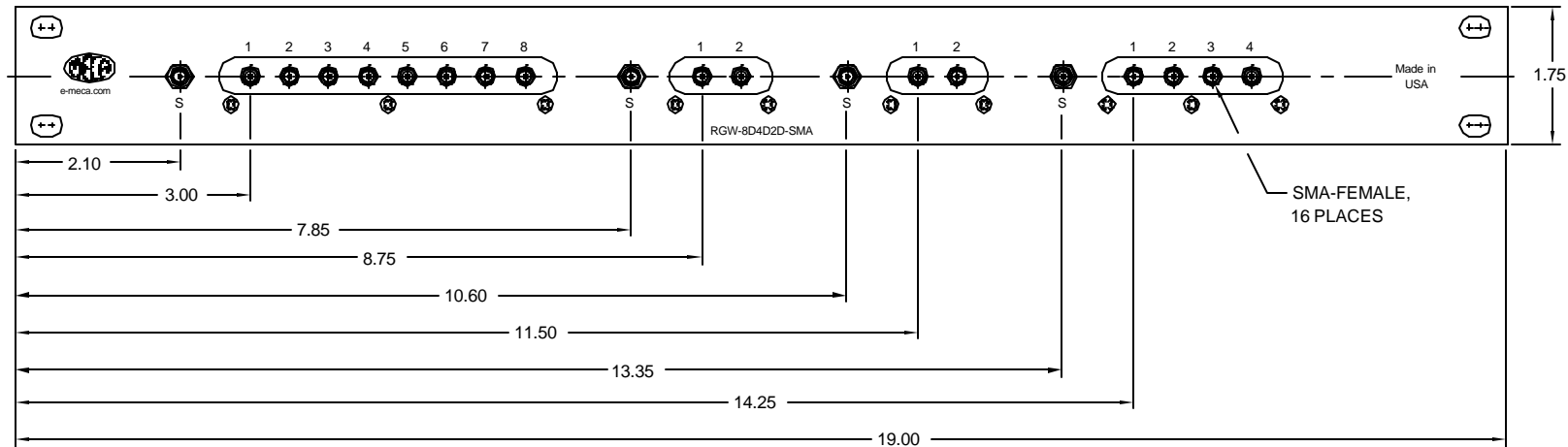
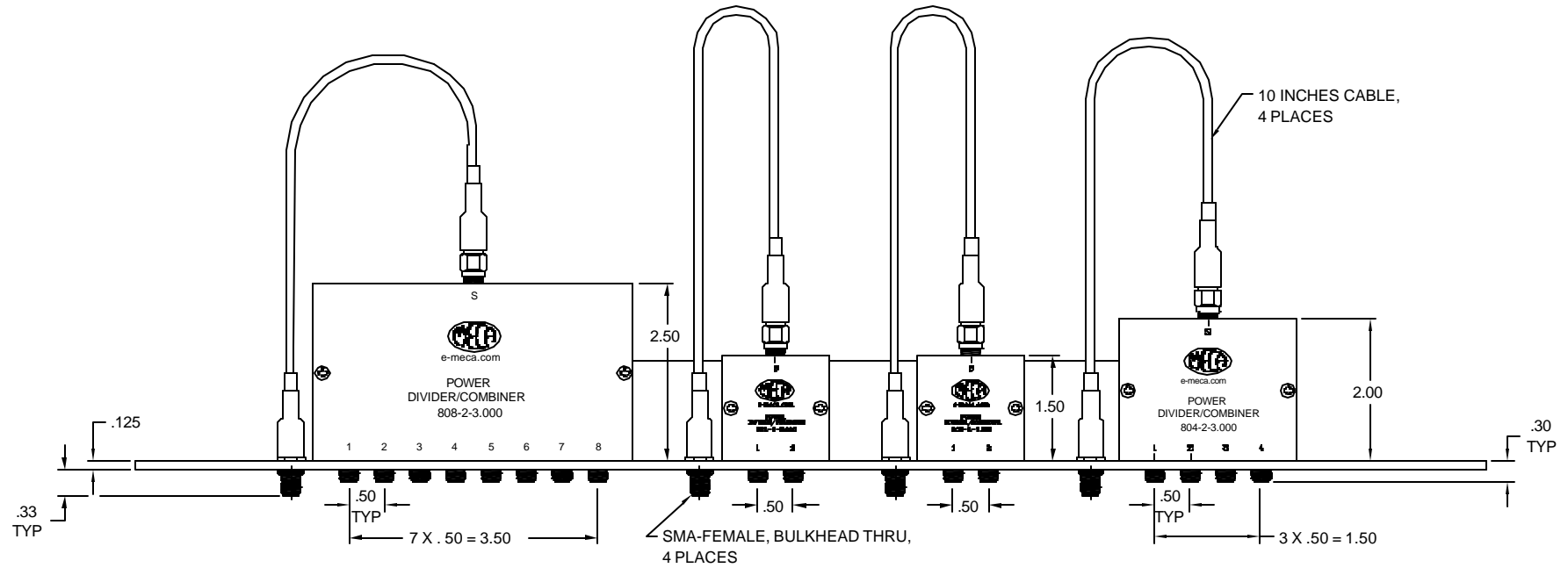



## ELECTRICAL SPECIFICATIONS

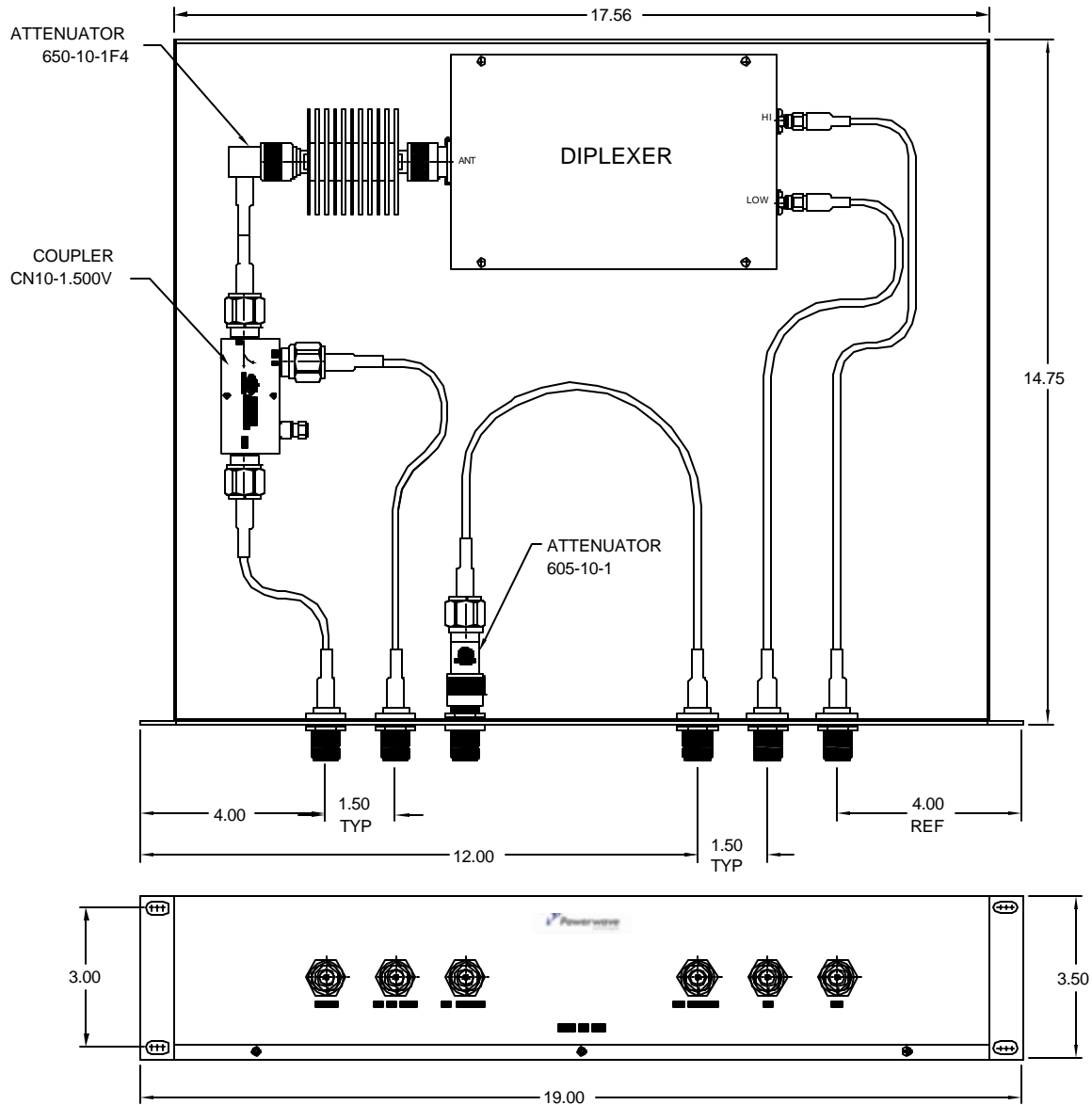
|                         |                          |
|-------------------------|--------------------------|
| FREQUENCY RANGE (GHz):  | 0.800 - 2.200            |
| IMPEDANCE (NOMINAL):    | 50 Ohms                  |
| VSWR: INPUT:            | 1.15:1 TYP/ 1.25 MAX     |
| OUTPUT:                 | 1.10: TYP/1.20:1 MAX     |
| INSERTION LOSS (dB):    | 0.3 TYP/0.4 MAX          |
| AMPLITUDE BALANCE (MAX) | 0.1 dB                   |
| PHASE BALANCE (MAX):    | 2 DEGREES                |
| ISOLATION (dB):         | 27 TYP/ 22 MIN           |
| RF POWER (TOTAL MAX)    | 20 WATTS INPUT WITH LOAD |
| * (AS DIVIDER ONLY)     | VSWR 1.2:1 OR BETTER     |
| CONNECTORS:             | SMA, FEMALE              |
| TEMPERATURE:            | -55°C TO +85°C           |


\* NOTE: SEE APPLICATION NOTE  
MAP-801 (WWW.E-MECA.COM)

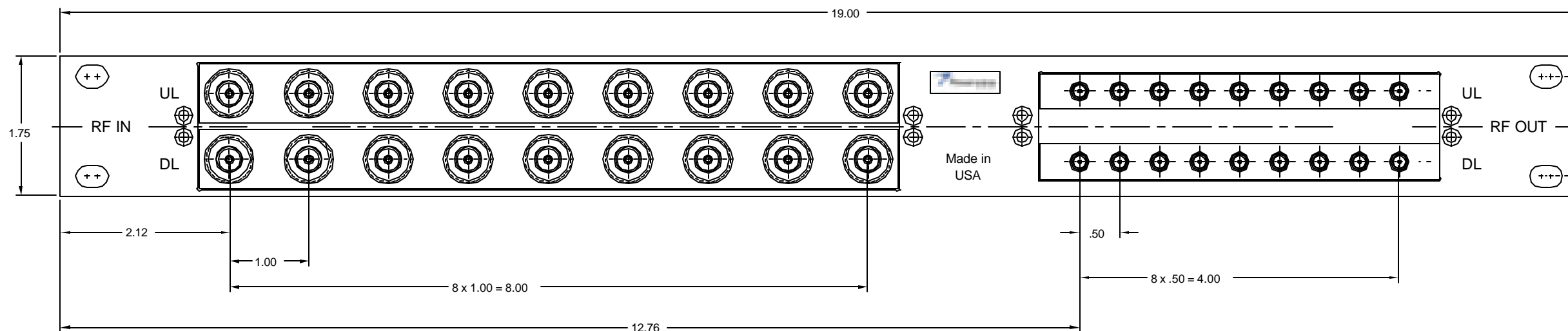
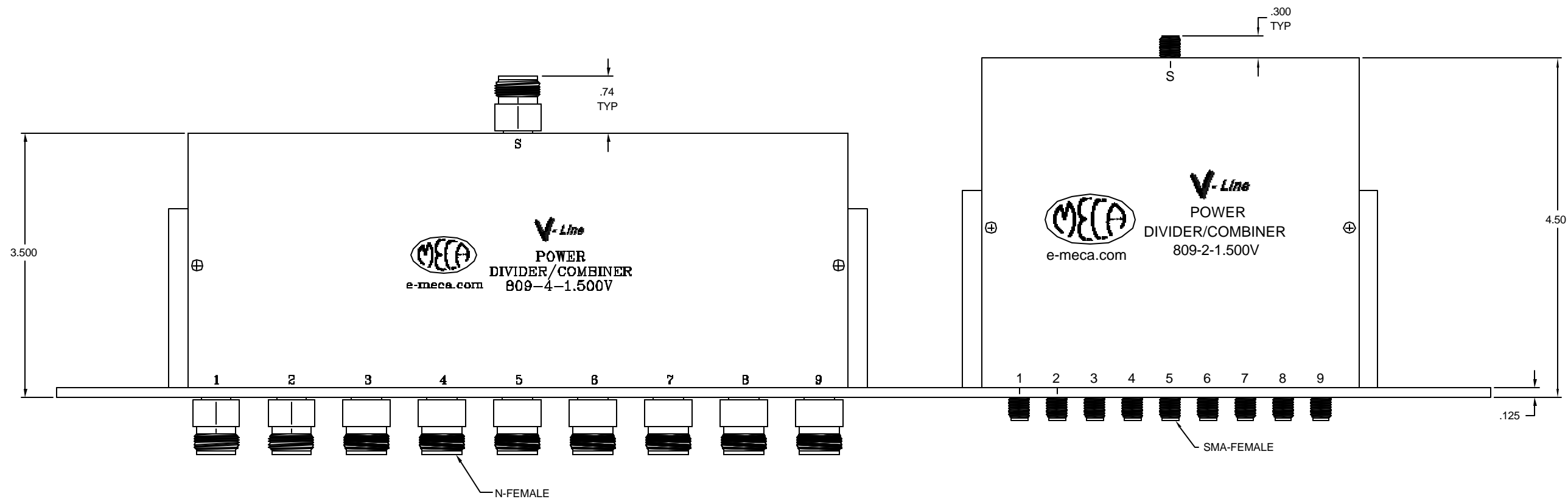
|                        |                   |  |                  |  |    |                          |                                |                 |
|------------------------|-------------------|--|------------------|--|----|--------------------------|--------------------------------|-----------------|
| MATERIAL:<br>SEE ABOVE |                   | UNLESS OTHERWISE SPECIFIED, DIMENSIONS ARE IN INCHES             |                  |  <b>ELECTRONICS, INC.</b><br>DENVER, NEW JERSEY<br>e-meca.com |    |                          |                                |                 |
| FINISH:<br>SEE ABOVE   |                   | TOLERANCES<br>2 PLACES: ±.01<br>3 PLACES: ±.005<br>ANGLES: ±1/2° |                  |  |    |                          |                                |                 |
| DRAWN:<br>NL           | DATE:<br>05/24/06 | TIR: N/A   |                  | <b>TITLE</b><br><b>RACK MOUNT POWER DIVIDER, ASSEMBLY</b>  |    |                          |                                |                 |
| APPROVED:<br>ES        | DATE:<br>05/24/06 | SCALE: NTS   | SIZE<br><b>B</b> |  |    |                          |                                |                 |
| A                      | PG                | NEW  | 08/09/06         | NL   | ES | CODE IDENT. NO.<br>22424 | DRAWING NO.<br>R12802-2-1.500V | REV<br><b>A</b> |




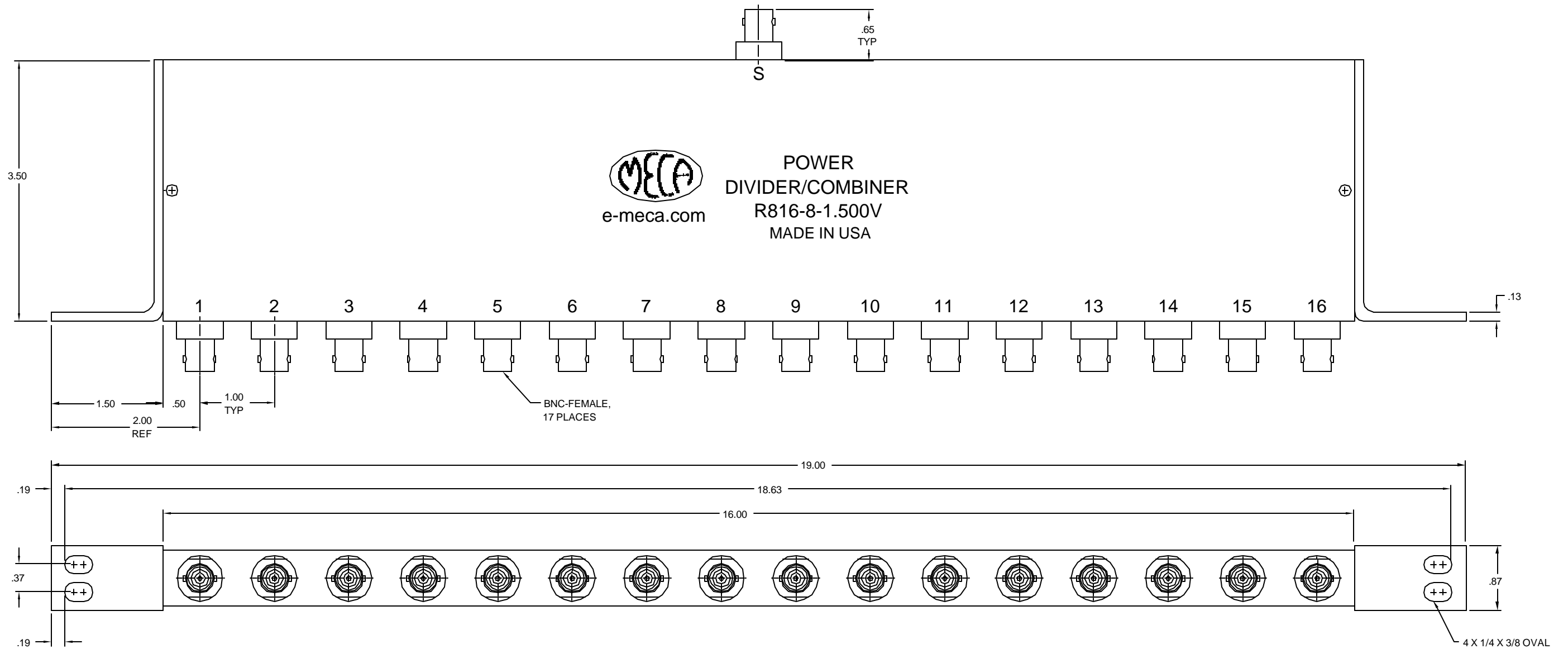
|   |    |                   |  |          |    |                  |                 |  |            |  |   |  |                          |
|---|----|-------------------|--|----------|----|------------------|-----------------|--|------------|--|---|--|--------------------------|
|   |    |                   |  |          |    | MATERIAL:<br>N/A |                 | UNLESS OTHERWISE SPECIFIED, DIMENSIONS ARE IN INCHES           |            |  <b>ELECTRONICS, INC.</b><br>DENVER, NEW JERSEY<br>e-meca.com |   |  |                          |
|   |    |                   |  |          |    | FINISH:<br>N/A   |                 | TOLERANCES<br>2 PLACES: ±.02<br>3 PLACES: ±.010<br>ANGLES: N/A |            |  |   |  |                          |
|   |    | SEE DCN #070703-1 |  | 07/05/07 | NL | RR               | DRAWN:<br>NL    | DATE:<br>06/01/07  | TIR: N/A   |  | <b>TITLE</b><br><b>RACK MOUNT POWER DIVIDERS ASSEMBLY</b> |  |                          |
| B | PG | DESCRIPTION       |  | DATE     | DR | APP              | APPROVED:<br>ES | DATE:<br>06/01/07  | SCALE: NTS | SIZE<br><b>A</b>   |   |  | CODE IDENT. NO.<br>22424 |
|   |    |                   |  |          |    |                  |                 | SHEET: 1 OF 1  |            |  |   |  |                          |



|     |    |             |          |    |     |                  |  |  |  |  |  |
|-----|----|-------------|----------|----|-----|------------------|--|--|--|--|--|
|     |    |             |          |    |     | MATERIAL:<br>N/A |  | UNLESS OTHERWISE SPECIFIED, DIMENSIONS ARE IN INCHES             |  |  <b>ELECTRONICS, INC.</b><br>DENVER, NEW JERSEY<br>e-meca.com |  |
|     |    |             |          |    |     | FINISH:<br>N/A   |  | TOLERANCES<br>2 PLACES: ±.01<br>3 PLACES: ±.005<br>ANGLES: ±1/2° |  |  |  |
|     |    |             |          |    |     | DRAWN:<br>NL     |  | DATE:<br>08/06/07  |  | <b>TITLE</b><br>PWAVE DUPLEX TRAY  |  |
|     |    |             |          |    |     | APPROVED:<br>ES  |  | DATE:<br>08/06/07  |  |  |  |
| A   |    | NEW         | 08/06/07 | NL | ES  |                  |  | TIR: N/A   |  | DRAWING NO.<br>RS-PDT-2  |  |
| LTR | PG | DESCRIPTION | DATE     | DR | APP |                  |  | SCALE: NTS<br>SHEET: 1 OF 1                                      |  | SIZE<br><b>A</b>   |  |
|     |    |             |          |    |     |                  |  |  |  | REV<br><b>A</b>  |  |




|     |    |                      |          |     |     |           |  |               |  |                                 |          |
|-----|----|----------------------|----------|-----|-----|-----------|--|---------------|--|---------------------------------|----------|
| XX  | XX | XXXXXXXXXXXXXXXXXXXX | 00/00/00 | XXX | XXX | MATERIAL: | UNLESS OTHERWISE SPECIFIED, DIMENSIONS ARE IN INCHES             |               |  <b>ELECTRONICS, INC.</b><br>DENVER, NEW JERSEY<br>e-meca.com |                                 |          |
|     |    |                      |          |     |     | FINISH:   | TOLERANCES<br>2 PLACES: ±.01<br>3 PLACES: ±.005<br>ANGLES: ±1/2° |               |  |                                 |          |
| LTR | PG | DESCRIPTION          | DATE     | DR  | APP | DRAWN:    | DATE:  | TIR: .002     | TITLE<br>XXXXXXXXXXXXXXXXXXXX<br>XXXXXXXXXXXX  |                                 |          |
|     |    |                      |          |     |     | APPROVED: | DATE:  | SCALE: NTS    |  | SIZE<br><b>B</b>                |          |
|     |    |                      |          |     |     | RR        | 05/04/07   | SHEET: X OF X | CODE IDENT. NO.<br>22424   | DRAWING NO.<br>R4809-2/4-1.500V | REV<br>- |



## ELECTRICAL SPECIFICATIONS

|                          |                                  |
|--------------------------|----------------------------------|
| FREQUENCY RANGE (GHz):   | 0.800-2.200                      |
| IMPEDANCE (NOMINAL):     | 50 OHMS                          |
| VSWR: INPUT:             | 1.35:1 TYP/1.45:1 MAX            |
| OUTPUT:                  | 1.15:1 TYP/1.25:1 MAX            |
| INSERTION LOSS (dB):     | 1.3 TYP/1.7 MAX                  |
| AMPLITUDE BALANCE (dB):  | 0.2 TYP/0.4 MAX                  |
| ISOLATION (dB):          | 25 TYP/18 MIN                    |
| PHASE BALANCE (DEGREES): | 8 TYP/12 MAX                     |
| RF POWER (TOTAL MAX):    | 20 WATTS INPUT WITH LOAD         |
| * (AS DIVIDER ONLY)      | VSWR 1.2:1 OR BETTER             |
| CONNECTORS:              | BNC-FEMALE, BRASS, ALBALOY PLATE |
| TEMPERATURE:             | -55°C TO +85°C                   |

\* NOTE: SEE APPLICATION NOTE  
MAP-801 (WWW E-MECA.COM)

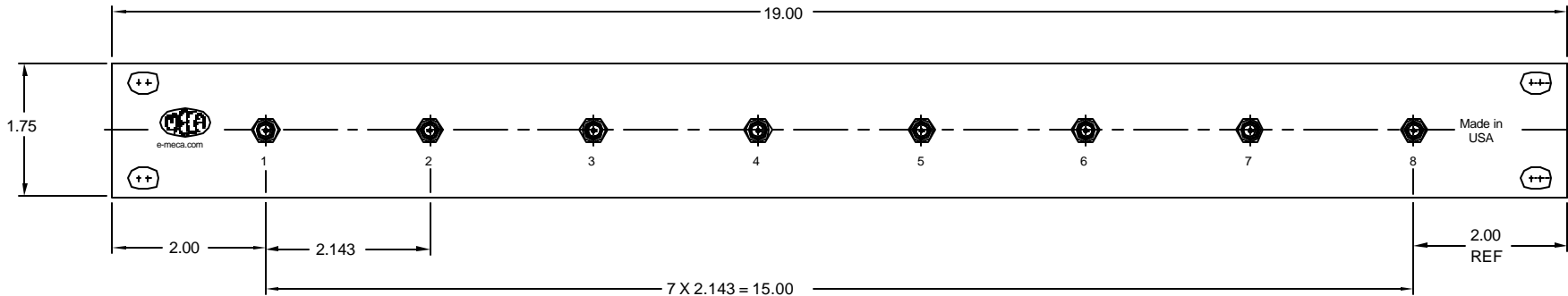
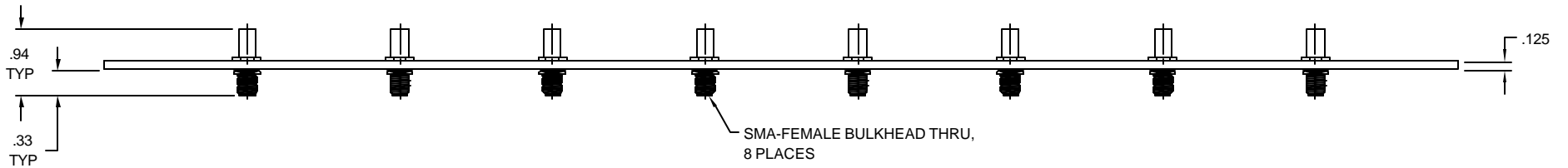
|                  |                   |  |                  |  |                          |                              |                 |
|------------------|-------------------|--|------------------|--|--------------------------|------------------------------|-----------------|
| MATERIAL:<br>N/A |                   | UNLESS OTHERWISE SPECIFIED, DIMENSIONS ARE IN INCHES           |                  |  <b>ELECTRONICS, INC.</b><br>DENVER, NEW JERSEY<br>e-meca.com |                          |                              |                 |
| FINISH:<br>N/A   |                   | TOLERANCES<br>2 PLACES: ±.01<br>3 PLACES: ±.005<br>ANGLES: N/A |                  |  |                          |                              |                 |
| DRAWN:<br>NL     | DATE:<br>01/17/07 | TIR: N/A   |                  | <b>TITLE</b><br><b>RACK MOUNT POWER DIVIDER, ASSEMBLY</b>  |                          |                              |                 |
| APPROVED:<br>RR  | DATE:<br>01/17/07 | SCALE: NTS   | SIZE<br><b>B</b> |  |                          |                              |                 |
| A                | NEW               | 01/17/07   | NL               | RR   | CODE IDENT. NO.<br>22424 | DRAWING NO.<br>R816-8-1.500V | REV<br><b>A</b> |
| LTR              | PG                | DESCRIPTION  | DATE             | DR   | APP                      |                              |                 |


# ELECTRICAL SPECIFICATIONS

IMPEDANCE (NOMINAL): 50 Ohms

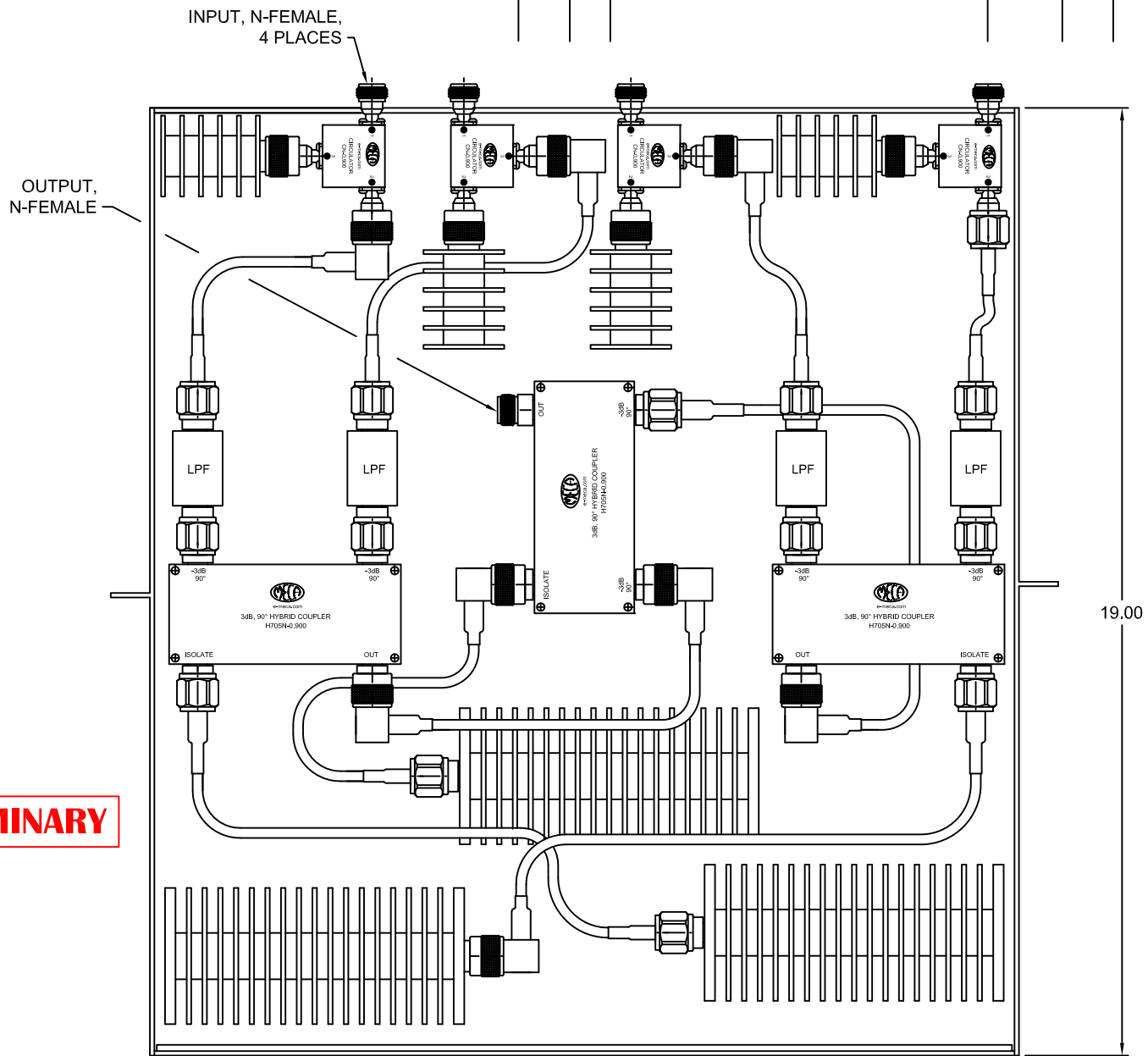
# MECHANICAL SPECIFICATIONS

CONNECTORS: SMA-FEMALE, BULKHEAD, STAINLESS STEEL, PASSIVATE  
 CONNECTOR PINS: BERYLLIUM COPPER, GOLD PLATE

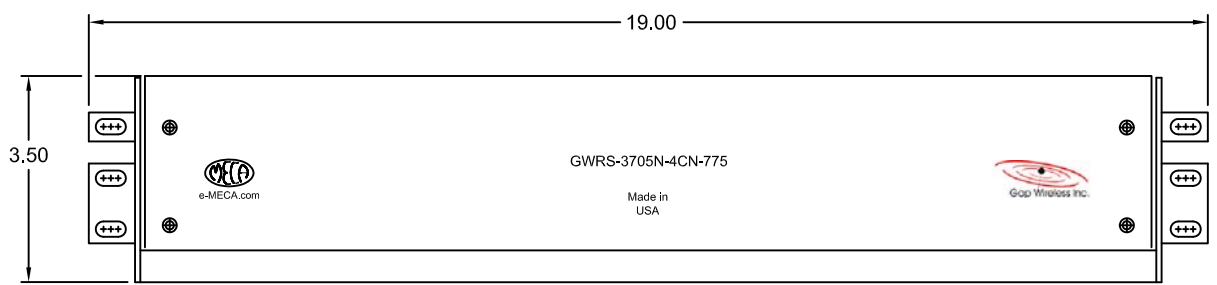



|             |    |     |          |    |     |           |  |               |   |   |                           |  |          |
|-------------|----|-----|----------|----|-----|-----------|--|---------------|---|---|---------------------------|--|----------|
| A           | PG | NEW | 06/01/07 | NL | ES  | MATERIAL: | UNLESS OTHERWISE SPECIFIED, DIMENSIONS ARE IN INCHES           |               |  ELECTRONICS, INC.<br>DENVER, NEW JERSEY<br>e-meca.com | TITLE<br>RACK MOUNT SMA-FEMALE,<br>BULKHEAD |                           |  |          |
|             |    |     |          |    |     | N/A       | TOLERANCES<br>2 PLACES: ±.02<br>3 PLACES: ±.010<br>ANGLES: N/A |               |   |   |                           |  |          |
|             |    |     |          |    |     | DRAWN:    | DATE:  | TIR: N/A      | CODE IDENT. NO.<br>22424  |   | DRAWING NO.<br>RGW-88-SMA |  | REV<br>A |
|             |    |     |          |    |     | NL        | 06/01/07   | SCALE: NTS    |   |   |                           |  |          |
|             |    |     |          |    |     | APPROVED: | DATE:  | SHEET: 1 OF 1 |   |   |                           |  |          |
|             |    |     |          |    |     | JL        | 06/01/07   |               |   |   |                           |  |          |
| DESCRIPTION |    |     | DATE     | DR | APP |           |  |               |   |   |                           |  |          |

| LTR | PG | DESCRIPTION | DATE     | DR | APP |
|-----|----|-------------|----------|----|-----|
| 1   |    | NEW         | 01/11/08 | NL | ES  |



**PRELIMINARY**



|                  |                   |  |               |   |                          |  |                 |
|------------------|-------------------|--|---------------|---|--------------------------|--|-----------------|
| MATERIAL:<br>N/A |                   | UNLESS OTHERWISE SPECIFIED, DIMENSIONS ARE IN INCHES         |               |  <b>ELECTRONICS, INC.</b><br>DENVER, NEW JERSEY<br>e-meca.com |                          |  |                 |
| FINISH:<br>N/A   |                   | TOLERANCES<br>2 PLACES: ±.01<br>3 PLACES: N/A<br>ANGLES: N/A |               |   |                          | TITLE<br>4-CHANNEL, HYBRID COMBINER TRAY,<br>100 WATTS PER CHANNEL |                 |
| DRAWN:<br>NL     | DATE:<br>01/11/08 | TIR: N/A   |               | SIZE<br><b>A</b>  | CODE IDENT. NO.<br>22424 | DRAWING NO.<br>GWRS-3705N-4CH-775                                  | REV<br><b>1</b> |
| APPROVED:<br>ES  | DATE:<br>01/11/08 | SCALE: NTS   | SHEET: 1 OF 1 |   |                          |  |                 |