



Grounding

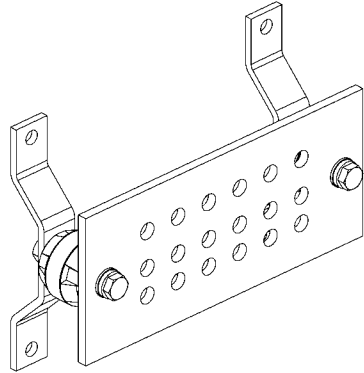


**Your total source for
everything wireless.**

Grounding Solutions



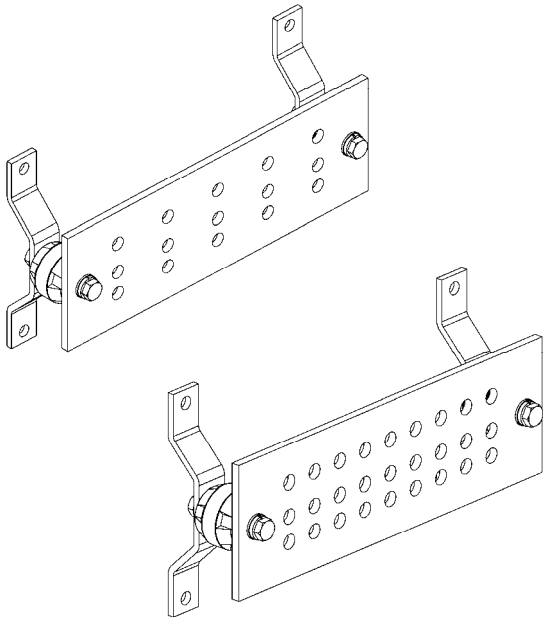
Buss Bar Kits, 1/4" x 4" x 9"



Material Included:	Copper buss bar, insulators, w all brackets and hardware	Design:	Universal patter for 1 or 2 hole lugs
Order Separately:	Wall attachment hardware	Mounts to:	Walls

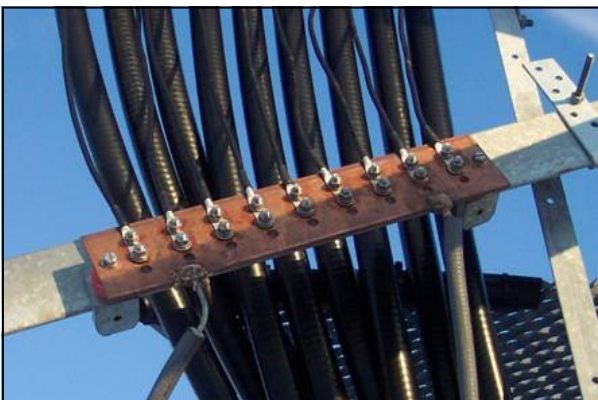
Part #	Description	Weight (Lbs)
Bare Copper		
100684	1/4" x 4" x 9" Copper Buss Bar Kit, 18 holes.	3.4
100662	1/4" x 4" x 9" Copper Buss Bar, 18 holes. Bar only.	2.9
Tinned Copper		
102280	1/4" x 4" x 9" Tinned Copper Buss Bar Kit, 18 holes.	3.4
104420	1/4" x 4" x 9" Tinned Copper Buss Bar, 18 holes. Bar only.	2.7

Buss Bar Kits, 1/4" x 4" x 12"



Material Included:	Copper buss bar, insulators, w all brackets and hardware	Design:	Universal patter for 1 or 2 hole lugs. 15 or 27 hole design.
Order Separately:	Wall attachment hardware	Mounts to:	Walls

Part #	Description	Weight (Lbs)
Bare Copper		
104421	1/4" x 4" x 12" Copper Buss Bar Kit, 15 holes.	4.4
104422	1/4" x 4" x 12" Copper Buss Bar, 15 holes. Bar only.	3.7
104423	1/4" x 4" x 12" Copper Buss Bar Kit, 27 holes.	4.2
104114	1/4" x 4" x 12" Copper Buss Bar, 27 holes. Bar only.	3.5
Tinned Copper		
104424	1/4" x 4" x 12" Tinned Copper Buss Bar Kit, 15 holes.	4.4
104425	1/4" x 4" x 12" Tinned Copper Buss Bar, 15 holes - Bar only.	3.7
104426	1/4" x 4" x 12" Tinned Copper Buss Bar Kit, 27 holes.	4.2
104427	1/4" x 4" x 12" Tinned Copper Buss Bar, 27 holes- Bar only.	3.5

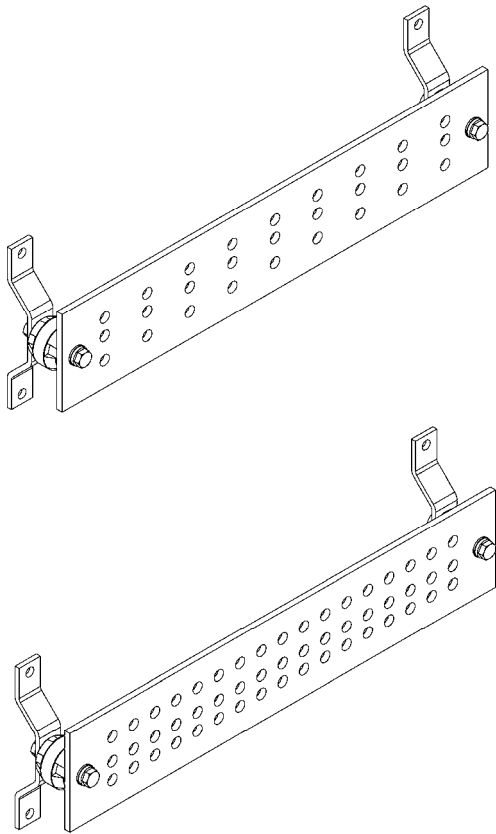


Grounding Solutions

Grounding Solutions



Buss Bar Kits, 1/4" x 4" x 20"



Material Included:	Copper buss bar, insulators, wall brackets and hardware	Design:	Universal pattern for 1 or 2 hole lugs. 27 or 51 hole design.
Order Separately:	Wall attachment hardware	Mounts to:	Walls

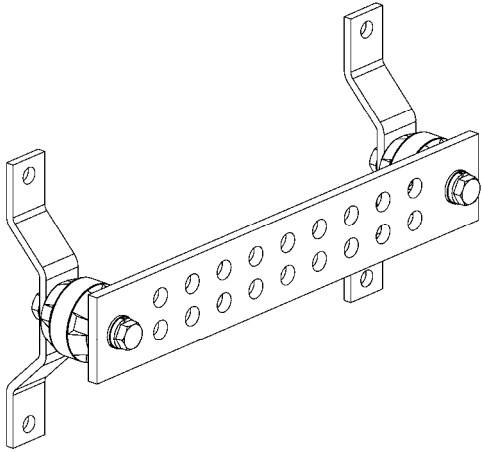
Part #	Description	Weight (Lbs)
Bare Copper		
100686	1/4" x 4" x 20" Copper Buss Bar Kit, 27 holes.	6.8
100661	1/4" x 4" x 20" Copper Buss Bar, 27 holes. Bar only.	6.4
100685	1/4" x 4" x 20" Copper Buss Bar Kit, 51 holes.	6.5
100663	1/4" x 4" x 20" Copper Buss Bar, 51 holes. Bar only.	6.4
Tinned Copper		
102281	1/4" x 4" x 20" Tinned Copper Buss Bar Kit, 27 holes.	6.8
104428	1/4" x 4" x 20" Tinned Copper Buss Bar, 27 holes - Bar only.	6.1
102282	1/4" x 4" x 20" Tinned Copper Buss Bar Kit, 51 holes.	6.5
104429	1/4" x 4" x 20" Tinned Copper Buss Bar, 51 holes - Bar only.	5.8

Grounding Solutions

Grounding Solutions



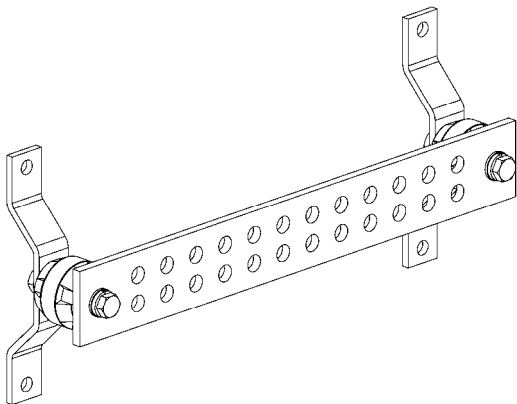
Buss Bar Kits, 1/4" x 2" x 12"



Material	Copper buss bar,	Design:	1" hole
Included:	insulators, w all brackets and hardw are		spacing.
Order	Wall attachment	Mounts to:	Walls
Seperately:	hardw are		

Part #	Description	Weight (Lbs)
Bare Copper		
101639	1/4" x 2" x 12" Copper Buss Bar Kit, 18 hole.	2.4
101640	1/4" x 2" x 12" Copper Buss Bar, 18 hole. Bar only.	1.7
Tinned Copper		
101641	1/4" x 2" x 12" Tinned Copper Buss Bar Kit, 18 hole.	2.4
101642	1/4" x 2" x 12" Tinned Copper Buss Bar, 18 hole. Bar only.	1.7

Buss Bar Kits, 1/4" x 2" x 15"



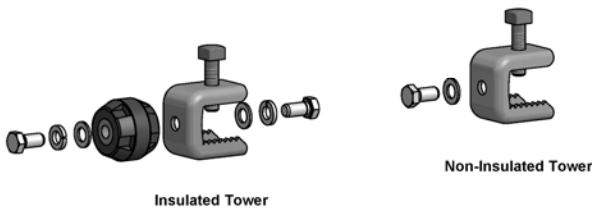
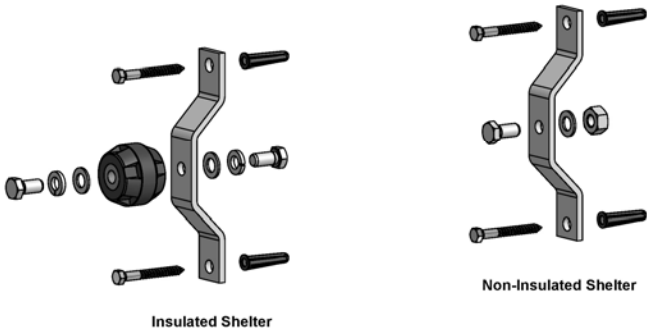
Material	Copper buss bar,	Design:	1" hole
Included:	insulators, w all brackets and hardw are		spacing.
Order	Wall attachment	Mounts to:	Walls
Seperately:	hardw are		

Part #	Description	Weight (Lbs)
Bare Copper		
101648	1/4" x 2" x 15" Copper Buss Bar Kit, 24 hole.	2.8
101649	1/4" x 2" x 15" Copper Buss Bar, 24 hole. Bar only.	2.1
Tinned Copper		
101650	1/4" x 2" x 15" Tinned Copper Buss Bar Kit, 24 hole.	2.8
101651	1/4" x 2" x 15" Tinned Copper Buss Bar, 24 hole. Bar only.	2.1

Grounding Solutions



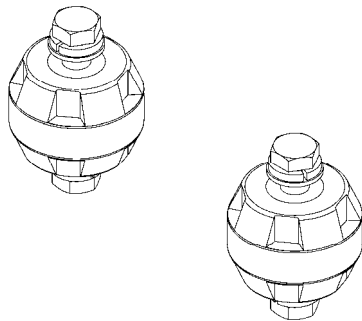
Universal Buss Bar Attachment Kit



Material Included:	Insulator, angle adaptor, wall mount and attachment hardware	Design:	Universal design for shelter and tower applications
Order Separately:	Buss bar	Mounts to:	n/a

Part #	Description	Weight (Lbs)
101672	Universal Buss Bar Hardware Kit (2 required for each buss bar)	2.1

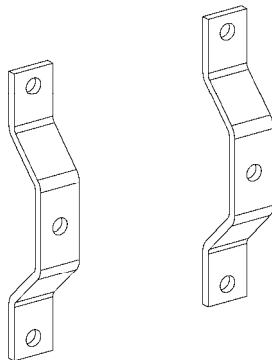
Buss Bar Insulators



Material Included:	Pair of insulators with stainless steel attachment hardware	Design:	n/a
Order Separately:	Buss bar and attachments.	Mounts to:	n/a

Part #	Description	Weight (Lbs)
104418	Buss Bar Insulator Kit, 2 pack Assembly	0.5

Buss Bar Wall Brackets



Material Included:	Pair of aluminum or stainless steel attachment brackets	Design:	n/a
Order Separately:	Buss bar and hardware.	Mounts to:	Walls

Part #	Description	Weight (Lbs)
104419	Buss Bar Mounting Bracket Kit, 2 Pack Assembly	0.3

Grounding Solutions

Grounding Solutions



Ground Clamps / Kits



P/N 101972



P/N 101973



P/N 101974

Part #	Description	Weight (Lbs)
Ground Kits		
102777	Anchor Wire grounding Kit (3 Anchors) - Galvanized Rods (For Use w / N-Series)	25.0
102779	25N/45N/55N/65N Base Grounding Kit	18.0
Ground Clamps		
101972	Ground Rod to Copper Wire Clamp	0.5
101973	Ground Wire to Guy Cable Clamp	0.3
101974	Ground Wire Clamp #2 or #1 (Includes 5/16" x 2" bolt for tower connection)	0.5
101975	Ground Wire Clamp #0 or #2/0 (Includes 5/16" x 2" bolt for tower connection)	0.6
102776	Guy Wire Ground Clamp (for use with 3/16" - 1/2" wire)	0.0

Grounding Rods



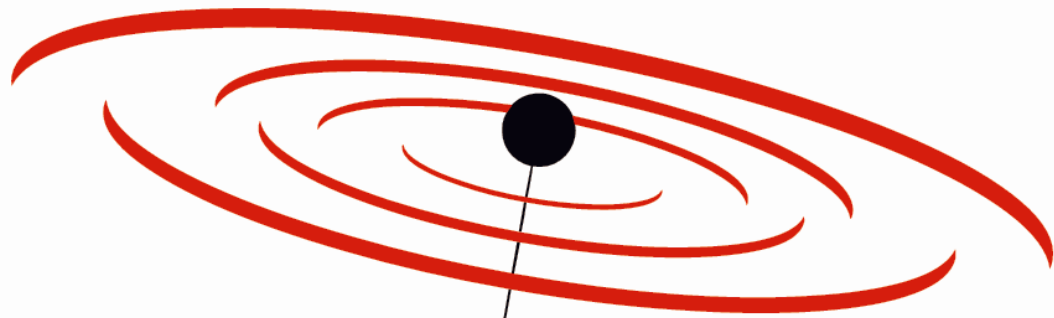
Part #	Description	Weight (Lbs)
101966	5/8" x 8' Copperclad Ground Rod	8.0
101967	5/8" x 10' Copperclad Ground Rod	10.0
101968	3/4" x 10' Copperclad Ground Rod	12.0
101969	3/4" x 10' Galvanized Ground Rod	12.0

Ground Wire



Part #	Description	Weight/1,000' (Lbs)
101959	#10 Bare Copper Ground Wire	31.0
101960	#4 Bare Copper Ground Wire	126.3
101961	Ground Wire, # 6 Stranded - Green Jacket	81.0
101962	#2 Bare Copper Ground Wire	200.9
101047	#2 Bare Solid Tinned	200.9
101963	#1/0 Bare Copper Ground Wire	319.5
101964	#2/0 Bare Copper Ground Wire	402.8
101965	#4/0 Bare Copper Ground Wire	640.5
101970	2" Copper Ground Flat Strap - 2" Wide x 0.016" thick	124.0
101971	4" Copper Ground Flat Strap - 4" Wide x 0.016" Thick.	248.1

Coaxial Components



Gap Wireless Inc.

**Eastern Canada
Montreal**

603 Pierre Street
Laval, PQ H7X 3V9
514-469-0776
514-469-0790

**Headquarters
Central Canada
Toronto**

14-2900 Argentia Road
Mississauga, ON L5N 7X9
905-487-8245
905-487-8246

**Western Canada
Edmonton**

2315 Rutherford Way SW
Edmonton, AB T6W 1P4
780-628-4886
780-628-4911

Your total source for everything wireless.