

## Expandable 2-Channel Hybrid Combiner

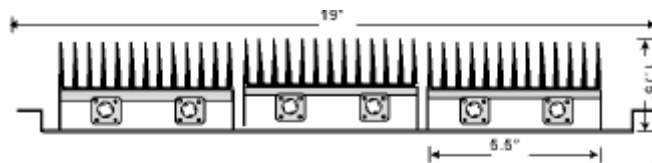
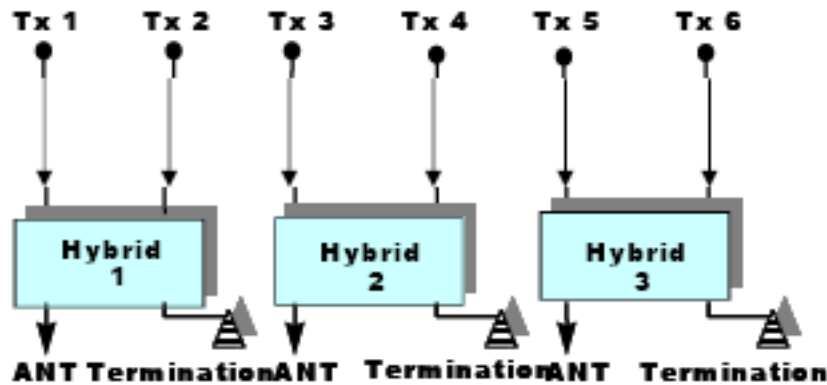
### General Information



The Model HFC-860-2LN 2-Channel Hybrid Combiner without isolators is a low profile, fully integrated unit that can be mounted in the rear of a standard rack or cabinet without occupying any rack space. This installation method not only increases the available rack space, but also provides for better thermal distribution since all of the heat dissipated from the combiner is directed to the rear of the rack and kept away from the equipment installed within the cabinet. The combiner can also be installed in a 2U tray within the rack. The unit can be configured for up to three 2-Channel Combiners mounted side by side which are easily field replaceable. Consequently, for low capacity sites the Combiner

can be deployed as a single or dual combiner configuration and upgraded to a triple combiner configuration at a later date. This allows for maximum flexibility on sites with future growth potential.

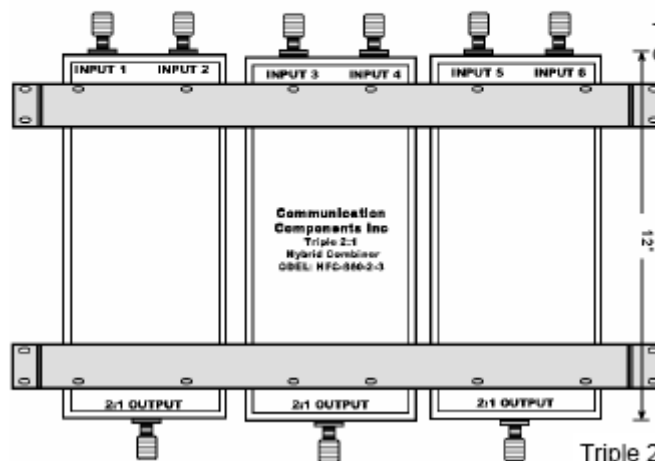
### Schematic



**Ordering Information:**

Single 2:1 Combiner w/o Isolator  
Order IM# 13707

Triple 2:1 Combiner w/o Isolator  
Order three IM#13707



Triple 2 Channel Combiner

PRODUCTS MANUFACTURED BY: Communication Components Inc., [www.ccjproducts.com](http://www.ccjproducts.com)

## Specifications

Frequency Range	800-1000 MHz
Impedance	50 Ohms Nominal
Insertion Loss, TX to ANT	3.5 dB Max.
Isolation, TX to TX	25 dB Min
Isolation, ANT to TX	25 dB Min.
3rd Order Intermodulation	<- 100 dBc
Attenuation at 2nd Harmonic	60 dB Min
Continuous Input Power, per TX	400 watts peak, 100 watts average
VSWR, all ports	1.20:1 Max.
Reflected Power allowable from ANT:	150 watts
Channel Separation for specifications given	25 kHz Min
Temperature Range	-30 to +60 degrees Celsius
Tray Size	2-U
Height	1 3/4 inches
Width	5 1/2 inches (per module)
Depth	12 1/2 inches
Connectors	N-type Female

PRODUCTS MANUFACTURED BY: Communication Components Inc., [www.ccjproducts.com](http://www.ccjproducts.com)