



Fixed Attenuators



**Your total source for
everything wireless.**

Attenuators are used in a wide variety of applications and can satisfy almost any requirement where a reduction in power is needed. Attenuators are used to extend the dynamic range of devices such as power meters and amplifiers, reduce signal levels to detectors, match circuits and are used daily in lab applications to aid in product design. Attenuators are also used to balance out transmission lines that otherwise would have unequal signal levels.

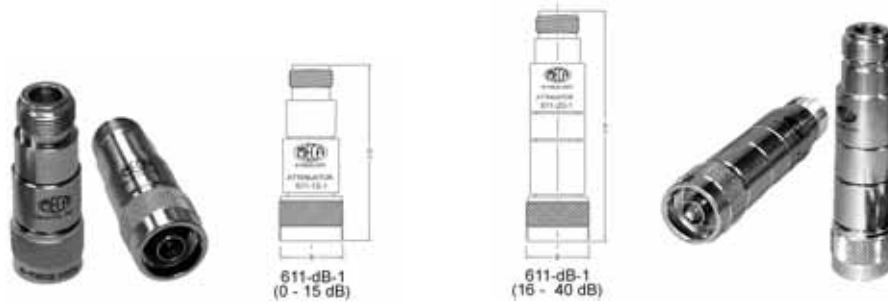
Gap Wireless offers a wide selection of attenuators designed to exceed commercial specifications. Standard attenuation values of **3, 6, 10, 20** and **30 dB** are available from **STOCK!** Need a special value? Many of our attenuators are available in all values from **0 - 40 dB** in **1 dB** increments. Custom models with different attenuation values, power ratings, frequency ranges, connector styles and configurations or plating are also readily available in quantity. With immediate access to our Applications Engineers, you can choose the best product solutions for your specific needs.

- Attenuation values from 1 to 40 dB
- N-Type, SMA, BNC, TNC, 7/16 DIN
- DC to 18 GHz
- 1 watt to 150 watts

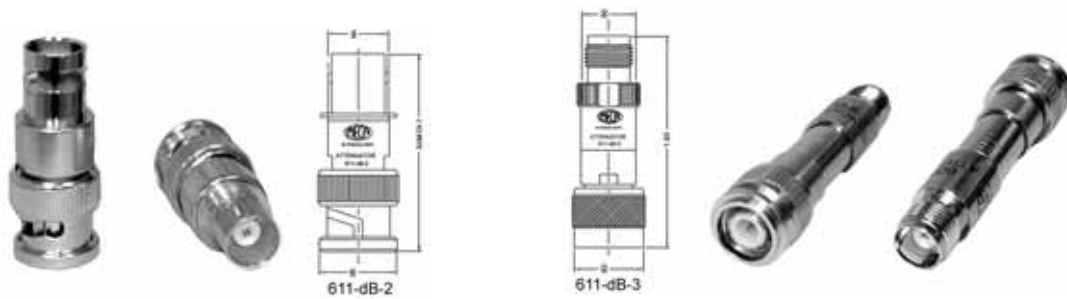
FIXED ATTENUATOR OVERVIEW			
Power ₁	Connector	Frequency (GHz)	Catalog Number
1 & 2 watts	N-Type, BNC, TNC	DC -2.2	611 Series
2 watts	SMA	DC -2.5	660-dB-1
2 watts	SMA	DC -18.0	665-dB-1
2 watts	BNC, 75 Ohm	DC -2.0	675-dB-2
2 watts	N-Type	DC -6.0	605-dB-1
5 watts	SMA	DC -6.0	602-dB-1
5 watts	N-Type	DC -6.0	603-dB-1
5 watts	7/16 DIN	DC -2.5	603-dB-11
10 watts	SMA	DC -6.0	604-dB-1
10 watts	N-Type	DC -4.0	606-dB-1F4
10 watts	7/16 DIN	DC -2.5	606-dB-11
20 watts	SMA	DC -6.0	631-dB-1
20 watts	N-Type	DC -4.0	630-dB-1F4
50 watts	N-Type	DC -4.0	650-dB-1F4
100 watts	N-Type	DC -3.0	690-dB-1
150 watts	N-Type	DC -3.0	697-dB-1

FIXED ATTENUATORS

1 & 2 watts, N-Type, BNC, TNC, DC - 2.2 GHz: 611 Series



Catalog Number	Connector	Attenuation Values	Frequency (GHz)	Attenuation Tolerance	VSWR (Max)	Power Avg (Watts)	Power Pk (Watts)	Length (L) (Inches)	Diameter (D) (Inches)
611-dB-1	N-Type	0 - 10 dB	DC - 1.7 1.7 - 2.2	± 0.6 dB ± 0.8 dB	1.20:1 1.35:1	2	2000	2.25	.82
		11 - 15 dB	DC - 1.7 1.7 - 2.2	± 0.8 dB ± 1.0 dB	1.20:1 1.40:1				
		16 - 30 dB	DC - 1.7 1.7 - 2.2	± 1.0 dB ± 1.5 dB	1.20:1 1.35:1			3.34	
		31 - 40 dB	DC - 1.7 1.7 - 2.2	± 1.25 dB ± 1.75 dB	1.25:1 1.40:1				



Catalog Number	Connector	Attenuation Values	Frequency (GHz)	Attenuation Tolerance	VSWR (Max)	Power Avg (Watts)	Power Pk (Watts)	Length (L) (Inches)	Diameter (D) (Inches)
611-dB-2	BNC	1- 20 dB	DC - 2.2	± 0.8 dB	1.40:1	1	1000	1.43	.44
611-dB-3	TNC	21- 40 dB	DC - 1.0	± 0.5 dB	1.20:1			1.93	.63

ELECTRICAL SPECIFICATIONS

Frequency: DC - 2.2 GHz
 VSWR (Max): See Table
 Impedance (Nom): 50 Ohms
 Input Power (Avg): See Table
 Power (Peak): See Table
 Attenuation Accuracy: See Table

MECHANICAL SPECIFICATIONS

Connectors: Brass, Nickel Plate
 Pin, Female: BeCu, Silver Plate
 Pin, Male: Brass, Silver Plate
 Insulators: PTFE, Virgin Elec. Grade
 Temperature: -55° C to +85° C

Notes:

- 611-dB-1 available from STOCK in models 1-40 dB in 1 dB increments
- 611-dB-2 & 611-dB-3 available from STOCK in 3, 6, 10, 20, 30 & 40 dB models
- Insert attenuation value in place of dB. Example: 611-10-1 for 10 dB
- Rated power is at 25° C ambient temperature through natural air convection and derates linearly to 0 watts @ +125° C
- Non-standard attenuation values available. Contact a MECA Applications Engineer for details
- Units are bi-directional

2 watts, SMA, DC - 2.5 GHz: 660-dB-1

FIXED ATTENUATORS



Notes:

1. Available from STOCK in models from 1-40 dB in 1 dB increments
2. Insert attenuation value in place of dB. Example: 660-10-1 for 10 dB
3. Available with Male or Female on both ends. Contact a MECA Applications Engineer for details
4. Rated power is at 25° C ambient temperature through natural air convection and derates linearly to 0 watts @ +125° C
5. Units are bi-directional

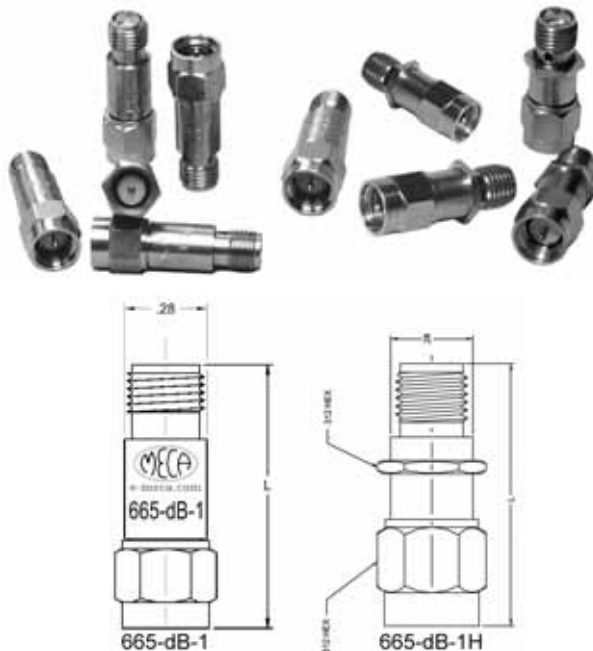
ELECTRICAL SPECIFICATIONS

Frequency:	DC - 2.5 GHz
VSWR (Max):	1.30:1
Impedance (Nom):	50 Ohms
Input Power (Avg):	2 watts @ 25° C Derates linearly to 0 watts @ +125° C
Power (Peak):	500 watts
Attenuation Accuracy:	0 - 10 dB : ± 0.6 dB 11 - 20 dB : ± 1.0 dB 21 - 30 dB : ± 1.5 dB 31 - 40 dB : ± 2.0 dB

MECHANICAL SPECIFICATIONS

Connectors:	Brass, Gold Plate
Pin, Female:	BeCu, Gold Plate
Pin, Male:	Brass, Gold Plate
Housing:	Brass, Gold Plate
Insulators:	PTFE, Virgin Elec. Grade
Temperature:	-55° C to +85° C
Length (L):	0 - 20 dB : 1.42" 21 - 40 dB : 2.11"
Weight:	0 - 20 dB : 12 Grams 21 - 40 dB : 18 Grams

2 watts, SMA, DC - 18.0 GHz: 665-dB-1



Notes:

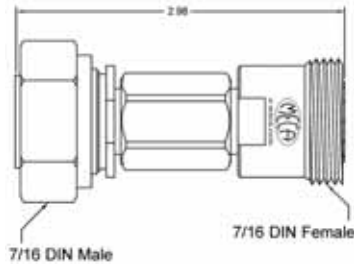
1. Available from STOCK in models from 1-20 dB in 1 dB increments
2. Insert attenuation value in place of dB. Example: 665-10-1 for 10 dB
3. Available with Hex body (665-dB-1H). Contact a MECA Applications Engineer for details
4. Rated power is at 25° C ambient temperature through natural air convection and derates linearly to 0 watts @ +125° C
5. Units are bi-directional

ELECTRICAL SPECIFICATIONS

Frequency:	DC - 18.0 GHz
VSWR (Max):	DC - 4.0 GHz: 1.15:1 4.0 - 8.0 GHz: 1.20:1 8.0 - 12.4 GHz: 1.25:1 12.4 - 18.0 GHz: 1.35:1
Impedance (Nom):	50 Ohms
Input Power (Avg):	2 watts @ 25° C Derates linearly to 0 watts @ +125° C
Power (Peak):	250 watts
Attenuation Accuracy:	0 - 6 dB : ± 0.30 dB 7 - 20 dB : ± 0.50 dB 21 - 30 dB : ± 0.75 dB

MECHANICAL SPECIFICATIONS

Connectors:	Stainless Steel, Passivate
Pin, Female:	BeCu, Gold Plate
Pin, Male:	Brass, Gold Plate
Housing:	Stainless Steel, Passivate
Insulators:	PTFE, Virgin Elec. Grade
Temperature:	-55° C to +85° C
Length:	0-12 dB .86" 13-20 dB .99"
Weight:	1-12 dB : 4.5 Grams 13-30 dB : 5.0 Grams



Notes:

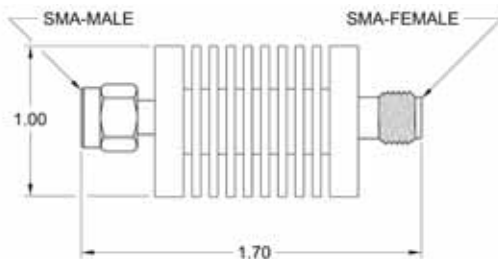
1. Available from STOCK in 3, 6, 10, 20 & 30 dB models
2. Insert attenuation value in place of dB. Example: 603-10-11 for 10 dB
3. Rated power is at 25° C ambient temperature through natural air convection and derates linearly to 0 watts @ +125° C
4. Units are bi-directional

ELECTRICAL SPECIFICATIONS

Frequency:	DC - 2.5 GHz
VSWR (Max):	DC - 2.5 GHz : 1.20:1
Impedance (Nom):	50 Ohms
Input Power (Avg):	5 watts @ 25° C Derates linearly to 1 watt @ +125° C
Power (Peak):	250 watts
Attenuation Accuracy:	3, 6 dB : ± 0.30 dB 10, 20 dB : ± 0.50 dB 30 dB : ± 0.75 dB

MECHANICAL SPECIFICATIONS

Connectors:	Silver-plated Brass
Pin, Female:	Silver-plated Brass
Pin, Male:	Silver-plated Brass
Housing:	Aluminum, Black Anodize
Insulators:	PTFE, Virgin Elec. Grade
Temperature:	-55° C to +85° C
Weight:	220 Grams



Notes:

1. Available from STOCK in 3, 6, 10, 20 & 30 dB models
2. Insert attenuation value in place of dB. Example: 604-10-1 for 10 dB
3. Rated power is at 25° C ambient temperature through natural air convection and derates linearly to 0 watts @ +125° C
4. Units are bi-directional

ELECTRICAL SPECIFICATIONS

Frequency:	DC - 6.0 GHz
VSWR (Max):	1.20:1
Impedance (Nom):	50 Ohms
Input Power (Avg):	10 watts @ 25° C Derates linearly to 4 watts @ +125° C.
Power (Peak):	500 watts
Attenuation Accuracy:	3, 6 dB : ± 0.3 dB 10, 20 dB : ± 0.5 dB 30 dB : ± 0.7 dB

MECHANICAL SPECIFICATIONS

Connectors:	Stainless Steel, Passivate
Pin, Female:	BeCu, Gold Plate
Pin, Male:	BeCu, Gold Plate
Housing:	Aluminum, Black Anodize
Insulators:	PTFE, Virgin Elec. Grade
Temperature:	-55° C to +85° C
Weight:	26 Grams



Notes:

1. Available from STOCK in 3, 6, 10, 20 & 30 dB models
2. Insert attenuation value in place of dB. Example: 602-10-1 for 10 dB
3. Non-standard attenuation values available. Contact a MECA Applications Engineer for details
4. Rated power is at 25° C ambient temperature through natural air convection and derates linearly to 0 watts @ +125° C
5. Units are bi-directional

ELECTRICAL SPECIFICATIONS

Frequency:	DC - 6.0 GHz
VSWR (Max):	DC - 4.0 GHz : 1.15:1 4.0 - 6.0 GHz : 1.20:1
Impedance (Nom):	50 Ohms
Input Power (Avg):	5 watts @ 25° C Derates linearly to 1 watt @ +125° C
Power (Peak):	125 watts
Attenuation Accuracy:	3, 6 dB : ± 0.30 dB 10, 20 dB : ± 0.50 dB 30 dB : ± 0.75 dB

MECHANICAL SPECIFICATIONS

Connectors:	Stainless Steel, Passivate
Pin, Female:	BeCu, Gold Plate
Pin, Male:	BeCu, Gold Plate
Housing:	Aluminum, Black Anodize
Insulators:	PTFE, Virgin Elec. Grade
Temperature:	-55° C to +85° C
Weight:	8.5 Grams



Notes:

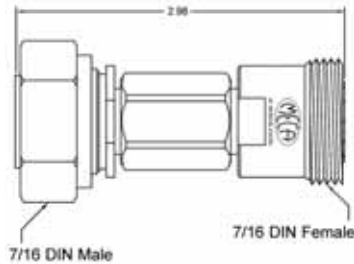
1. Available from STOCK in 3, 6, 10, 20 & 30 dB models
2. Insert attenuation value in place of dB. Example: 603-10-1 for 10 dB
3. Non-standard attenuation values available. Contact a MECA Applications Engineer for details
4. Rated power is at 25° C ambient temperature through natural air convection and derates linearly to 0 watts @ +125° C
5. Units are bi-directional

ELECTRICAL SPECIFICATIONS

Frequency:	DC - 6.0 GHz
VSWR (Max):	DC - 4.0 GHz : 1.15:1 4.0 - 6.0 GHz : 1.20:1
Impedance (Nom):	50 Ohms
Input Power (Avg):	5 watts @ 25° C Derates linearly to 1 watt @ +125° C
Power (Peak):	125 watts
Attenuation Accuracy:	3, 6 dB : ± 0.30 dB 10, 20 dB : ± 0.50 dB 30 dB : ± 0.75 dB

MECHANICAL SPECIFICATIONS

Connectors:	Stainless Steel, Passivate
Pin, Female:	BeCu, Gold Plate
Pin, Male:	BeCu, Gold Plate
Housing:	Aluminum, Black Anodize
Insulators:	PTFE, Virgin Elec. Grade
Temperature:	-55° C to +85° C
Weight:	48 Grams



Notes:

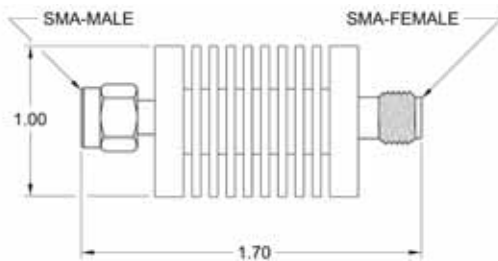
1. Available from STOCK in 3, 6, 10, 20 & 30 dB models
2. Insert attenuation value in place of dB. Example: 603-10-11 for 10 dB
3. Rated power is at 25° C ambient temperature through natural air convection and derates linearly to 0 watts @ +125° C
4. Units are bi-directional

ELECTRICAL SPECIFICATIONS

Frequency:	DC - 2.5 GHz
VSWR (Max):	DC - 2.5 GHz : 1.20:1
Impedance (Nom):	50 Ohms
Input Power (Avg):	5 watts @ 25° C Derates linearly to 1 watt @ +125° C
Power (Peak):	250 watts
Attenuation Accuracy:	3, 6 dB : ± 0.30 dB 10, 20 dB : ± 0.50 dB 30 dB : ± 0.75 dB

MECHANICAL SPECIFICATIONS

Connectors:	Silver-plated Brass
Pin, Female:	Silver-plated Brass
Pin, Male:	Silver-plated Brass
Housing:	Aluminum, Black Anodize
Insulators:	PTFE, Virgin Elec. Grade
Temperature:	-55° C to +85° C
Weight:	220 Grams



Notes:

1. Available from STOCK in 3, 6, 10, 20 & 30 dB models
2. Insert attenuation value in place of dB. Example: 604-10-1 for 10 dB
3. Rated power is at 25° C ambient temperature through natural air convection and derates linearly to 0 watts @ +125° C
4. Units are bi-directional

ELECTRICAL SPECIFICATIONS

Frequency:	DC - 6.0 GHz
VSWR (Max):	1.20:1
Impedance (Nom):	50 Ohms
Input Power (Avg):	10 watts @ 25° C Derates linearly to 4 watts @ +125° C.
Power (Peak):	500 watts
Attenuation Accuracy:	3, 6 dB : ± 0.3 dB 10, 20 dB : ± 0.5 dB 30 dB : ± 0.7 dB

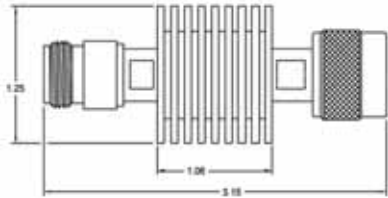
MECHANICAL SPECIFICATIONS

Connectors:	Stainless Steel, Passivate
Pin, Female:	BeCu, Gold Plate
Pin, Male:	BeCu, Gold Plate
Housing:	Aluminum, Black Anodize
Insulators:	PTFE, Virgin Elec. Grade
Temperature:	-55° C to +85° C
Weight:	26 Grams

10 watts, N-Type, DC - 4.0 GHz: 606-dB-1F4

FIXED ATTENUATORS

NEW!



Notes:

1. Available from STOCK in 3, 6, 10, 20 & 30 dB models
2. Insert attenuation value in place of dB. Example: 606-10-1F4 for 10 dB
3. Rated power is at 25° C ambient temperature through natural air convection and derates linearly to 0 watts @ +125° C
4. Units are bi-directional

ELECTRICAL SPECIFICATIONS

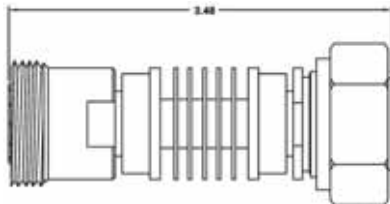
Frequency:	DC - 4.0 GHz
VSWR (Max):	DC - 1.0 GHz : 1.15:1
	1.0 - 4.0 GHz : 1.35:1
Impedance (Nom):	50 Ohms
Input Power (Avg):	10 watts @ 25° C
	Derates linearly to 5 watts @ +70° C
Power (Peak):	1000 watts
Attenuation Accuracy:	DC - 1.0 GHz: 3, 6, 10 & 20 dB: ± 0.25 dB
	30 dB: ± 0.50 dB
	1.0 - 4.0 GHz : 3, 6, 10 & 20 dB: ± 0.50 dB
	30 dB: ± 0.75 dB

MECHANICAL SPECIFICATIONS

Connectors:	Nickel-plated Brass
Pin, Female:	BeCu, Gold Plate
Pin, Male:	Brass, Gold Plate
Housing:	Aluminum, Black Anodize
Insulators:	PTFE, Virgin Elec. Grade
Temperature:	-55° C to +85° C
Weight:	69 Grams

10 watts, 7/16 DIN , DC - 2.5 GHz: 606-dB-11

NEW!



Notes:

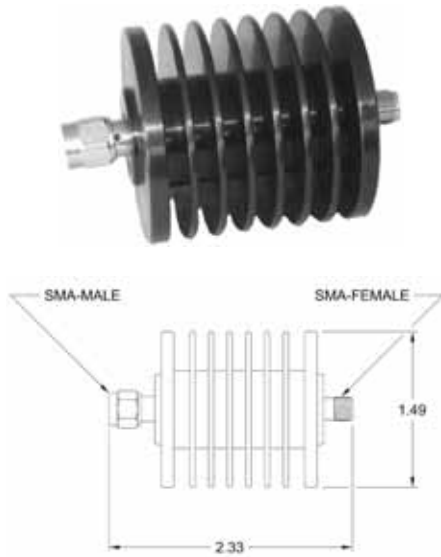
1. Available from STOCK in 3, 6, 10, 20 & 30 dB models
2. Insert attenuation value in place of dB. Example: 606-10-11 for 10 dB
3. Rated power is at 25° C ambient temperature through natural air convection and derates linearly to 0 watts @ +125° C
4. Units are bi-directional

ELECTRICAL SPECIFICATIONS

Frequency:	DC - 2.5 GHz
VSWR (Max):	1.20:1
Impedance (Nom):	50 Ohms
Input Power (Avg):	10 watts @ 25° C
	Derates linearly to 5 watts @ +70° C.
Power (Peak):	500 watts
Attenuation Accuracy:	3, 6 dB : ± 0.3 dB
	10, 20 dB : ± 0.5 dB
	30 dB : ± 0.7 dB

MECHANICAL SPECIFICATIONS

Connectors:	Silver-plated Brass
Pin, Female:	BeCu, Gold Plate
Pin, Male:	Brass, Gold Plate
Housing:	Aluminum, Black Anodize
Insulators:	PTFE, Virgin Elec. Grade
Temperature:	-55° C to +85° C
Weight:	213 Grams



ELECTRICAL SPECIFICATIONS

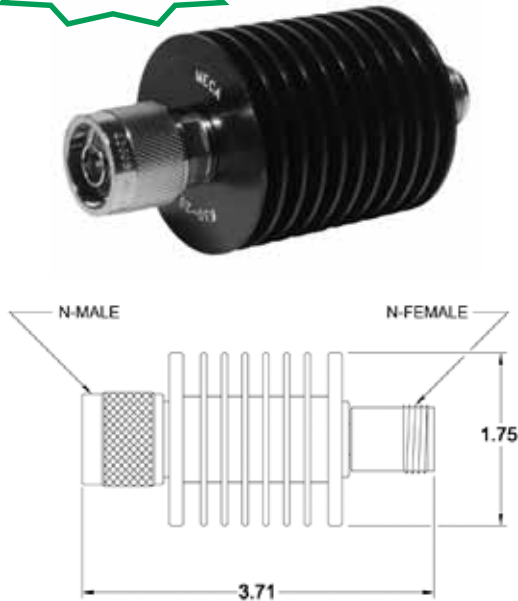
Frequency:	DC - 6.0 GHz
VSWR (Max):	1.20:1
Impedance (Nom):	50 Ohms
Input Power (Avg):	20 watts @ 25° C Derates linearly to 4 watts @ +125° C
Power (Peak):	500 watts
Attenuation Accuracy:	3, 6 dB : ± 0.30 dB 10, 20 dB : ± 0.50 dB 30 dB : ± 0.75 dB

MECHANICAL SPECIFICATIONS

Connectors:	Stainless Steel, Passivate
Pin, Female:	BeCu, Gold Plate
Pin, Male:	BeCu, Gold Plate
Housing:	Aluminum, Black Anodize
Insulators:	PTFE, Virgin Elec. Grade
Temperature:	-55° C to +85° C
Weight:	74 Grams

Notes:

1. Available from STOCK in 3, 6, 10, 20 & 30 dB models
2. Insert attenuation value in place of dB. Example: 631-10-1 for 10 dB
3. Rated power is at 25° C ambient temperature through natural air convection and derates linearly to 0 watts @ +125° C
4. Units are bi-directional



ELECTRICAL SPECIFICATIONS

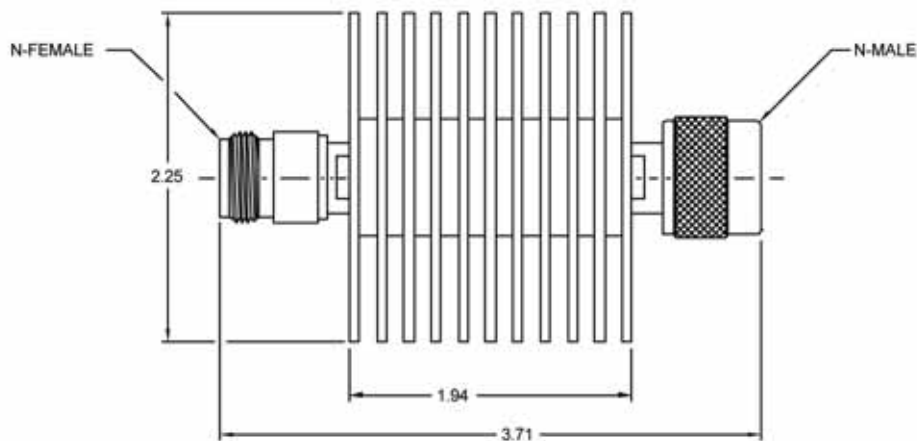
Frequency:	DC - 4.0 GHz
VSWR (Max):	DC - 1.0 GHz : 1.15:1 1.0 - 4.0 GHz : 1.35:1
Impedance (Nom):	50 Ohms
Input Power (Avg):	20 watts @ 25° C Derates linearly to 5 watts @ +70° C
Power (Peak):	1000 watts
Attenuation Accuracy:	DC - 1.0 GHz: 3, 6, 10 & 20 dB : ± 0.25 dB 30 dB : ± 0.50 dB 1.0 - 4.0 GHz : 3, 6, 10 & 20 dB : ± 0.50 dB 30 dB : ± 0.75 dB

MECHANICAL SPECIFICATIONS

Connectors:	Nickel-plated Brass
Pin, Female:	BeCu, Gold Plate
Pin, Male:	Brass, Gold Plate
Housing:	Aluminum, Black Anodize
Insulators:	PTFE, Virgin Elec. Grade
Temperature:	-55° C to +85° C
Weight:	113 Grams

Notes:

1. Available from STOCK in 3, 6, 10, 20 & 30 dB models
2. Insert attenuation value in place of dB. Example: 630-10-1F4 for 10 dB
3. Models available to 6 GHz. Contact a MECA Applications Engineer for details
4. Rated power is at 25° C ambient temperature through natural air convection and derates linearly to 0 watts @ +125° C
5. Units are bi-directional



ELECTRICAL SPECIFICATIONS

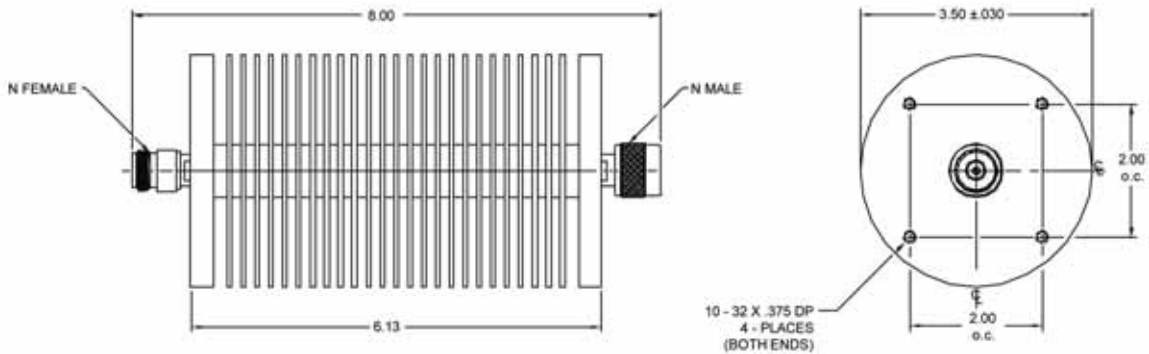
Frequency:	DC - 4.0 GHz
VSWR (Max):	DC - 1.0 GHz: 1.15:1 1.0 - 4.0 GHz: 1.35:1
Impedance (Nom):	50 Ohms
Input Power (Avg):	50 watts @ 25° C Derates linearly to 25 watts @ +70° C
Power (Peak):	1000 watts
Attenuation Accuracy:	3, 6, 10 & 20 dB: DC - 1.0 GHz : ± 0.25 dB 30 dB: DC - 1.0 GHz : ± 0.50 dB 3, 6, 10 & 20 dB: 1.0 - 4.0 GHz : ± 0.50 dB 30 dB: 1.0 - 4.0 GHz : ± 0.75 dB

MECHANICAL SPECIFICATIONS

Connectors:	Nickel-plated Brass
Pin, Female:	BeCu, Gold Plate
Pin, Male:	Brass, Gold Plate
Housing:	Aluminum, Black Anodize
Insulators:	PTFE, Virgin Elec. Grade
Temperature:	-55° C to +85° C
Weight:	574 Grams

Notes:

1. Available from STOCK in 3, 6, 10, 20 & 30 dB models
2. Insert attenuation value in place of dB. Example: **650-10-1F4** for 10 dB
3. Models available to 6 GHz. Contact a MECA Applications Engineer for details
4. Rated power is at 25° C ambient temperature through natural air convection and derates linearly to 0 watts @ +125° C
5. Units are bi-directional



ELECTRICAL SPECIFICATIONS

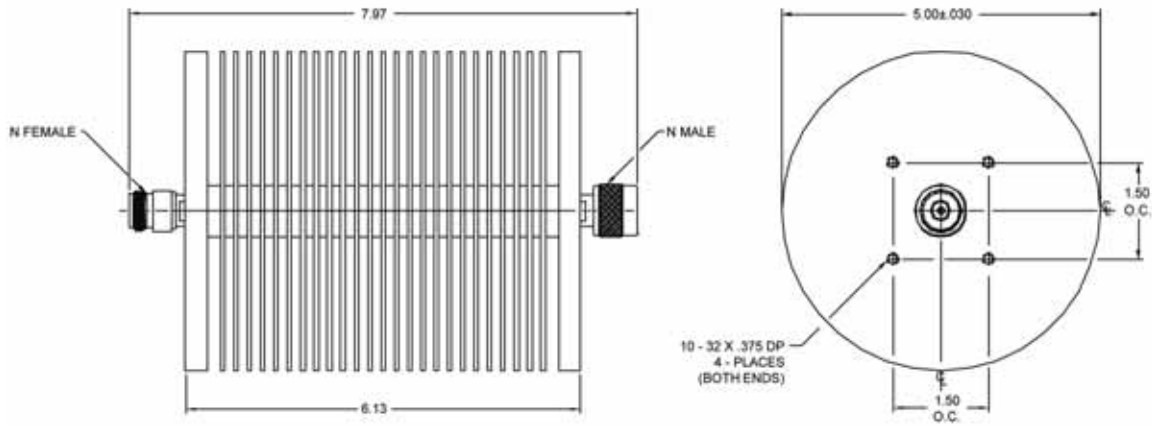
Frequency:	DC - 3.0 GHz
VSWR (Max):	DC - 2.0 GHz: 1.20:1 2.0 - 3.0 GHz: 1.30:1
Impedance (Nom):	50 Ohms
Input Power (Avg):	100 watts @ 25° C Derates linearly to 50 watts @ +70° C
Power (Peak):	1000 watts
Attenuation Accuracy:	DC - 2.0 GHz : ± 0.30 dB 2.0 - 3.0 GHz : ± 0.50 dB

MECHANICAL SPECIFICATIONS

Connectors:	Nickel-plated Brass
Pin, Female:	BeCu, Gold Plate
Pin, Male:	Brass, Gold Plate
Housing:	Aluminum, Black Anodize
Insulators:	PTFE, Virgin Elec. Grade
Temperature:	-55° C to +85° C
Weight:	3.5 lbs

Notes:

1. Available in 3, 6, 10, 20 & 30 dB models
2. Insert attenuation value in place of dB. Example: 690-10-1 for 10 dB
3. Rated power is at 25° C ambient temperature through natural air convection and derates linearly to 0 watts @ +125° C
4. Units are bi-directional



ELECTRICAL SPECIFICATIONS

Frequency:	DC - 3.0 GHz
VSWR (Max):	DC - 2.0 GHz: 1.20:1 2.0 - 3.0 GHz: 1.30:1
Impedance (Nom):	50 Ohms
Input Power (Avg):	150 watts @ 25° C Derates linearly to 75 watts @ +70° C
Power (Peak):	1000 watts
Attenuation Accuracy:	DC - 2.0 GHz : ± 0.30 dB 2.0 - 3.0 GHz : ± 0.50 dB

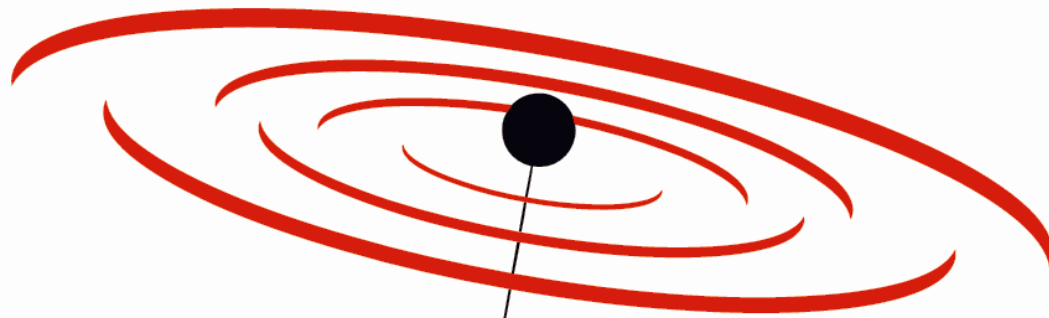
MECHANICAL SPECIFICATIONS

Connectors:	Nickel-plated Brass
Pin, Female:	BeCu, Gold Plate
Pin, Male:	Brass, Gold Plate
Housing:	Aluminum, Black Anodize
Insulators:	PTFE, Virgin Elec. Grade
Temperature:	-55° C to +85° C
Weight:	5.1 lbs

Notes:

1. Available in 3, 6, 10, 20 & 30 dB models
2. Insert attenuation value in place of dB. Example: 697-10-1 for 10 dB
3. Rated power is at 25° C ambient temperature through natural air convection and derates linearly to 0 watts @ +125° C
4. Units are bi-directional

Coaxial Components



Gap Wireless Inc.

**Eastern Canada
Montreal**

603 Pierre Street
Laval, PQ H7X 3V9
514-469-0776
514-469-0790

**Headquarters
Central Canada
Toronto**

14-2900 Argentia Road
Mississauga, ON L5N 7X9
905-487-8245
905-487-8246

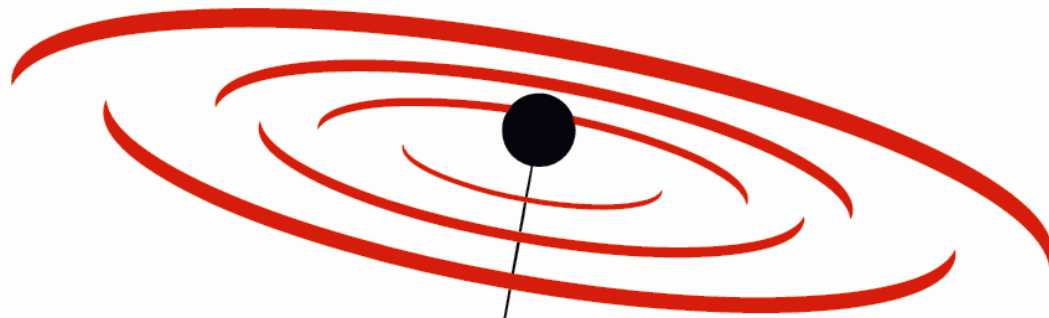
**Western Canada
Edmonton**

2315 Rutherford Way SW
Edmonton, AB T6W 1P4
780-628-4886
780-628-4911

Your total source for everything wireless.

Gap Wireless Inc. 14 – 2900 Argentia Road, Mississauga, ON L5N 7X9 T:905-487-8245 F: 905-487-8246 gapwireless.ca

Coaxial Components



Gap Wireless Inc.

**Eastern Canada
Montreal**

603 Pierre Street
Laval, PQ H7X 3V9
514-469-0776
514-469-0790

**Headquarters
Central Canada
Toronto**

14-2900 Argentia Road
Mississauga, ON L5N 7X9
905-487-8245
905-487-8246

**Western Canada
Edmonton**

2315 Rutherford Way SW
Edmonton, AB T6W 1P4
780-628-4886
780-628-4911

Your total source for everything wireless.

Gap Wireless Inc. 14 – 2900 Argentia Road, Mississauga, ON L5N 7X9 T:905-487-8245 F: 905-487-8246 gapwireless.ca