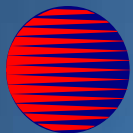


***iDEN Microcell 'Cell-To-Go'***  
***Outdoor Compact Base Station***



**COMMUNICATION  
COMPONENTS INC**

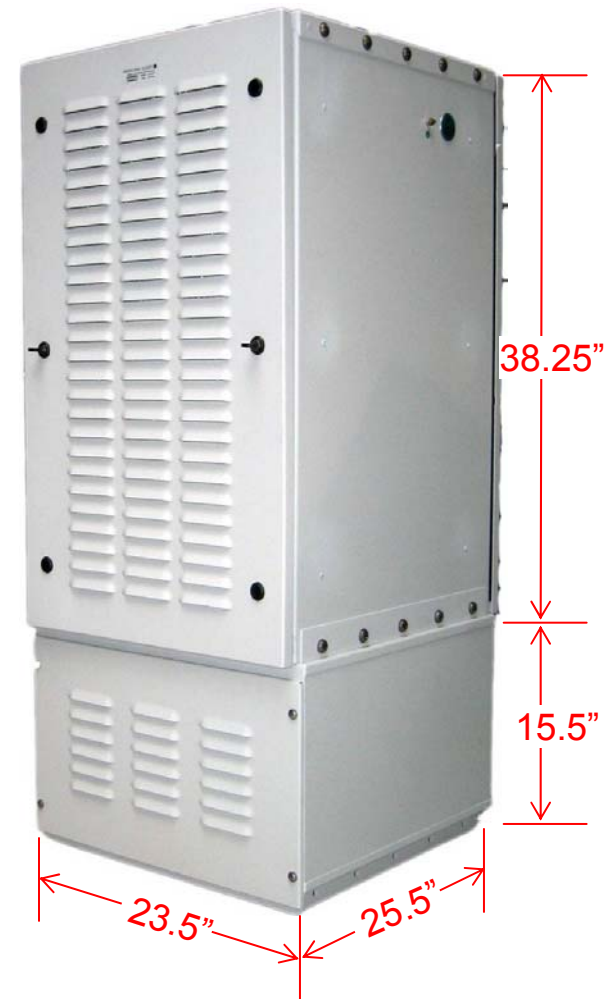
*Extending Wireless Coverage*

# iDEN Microcell Overview

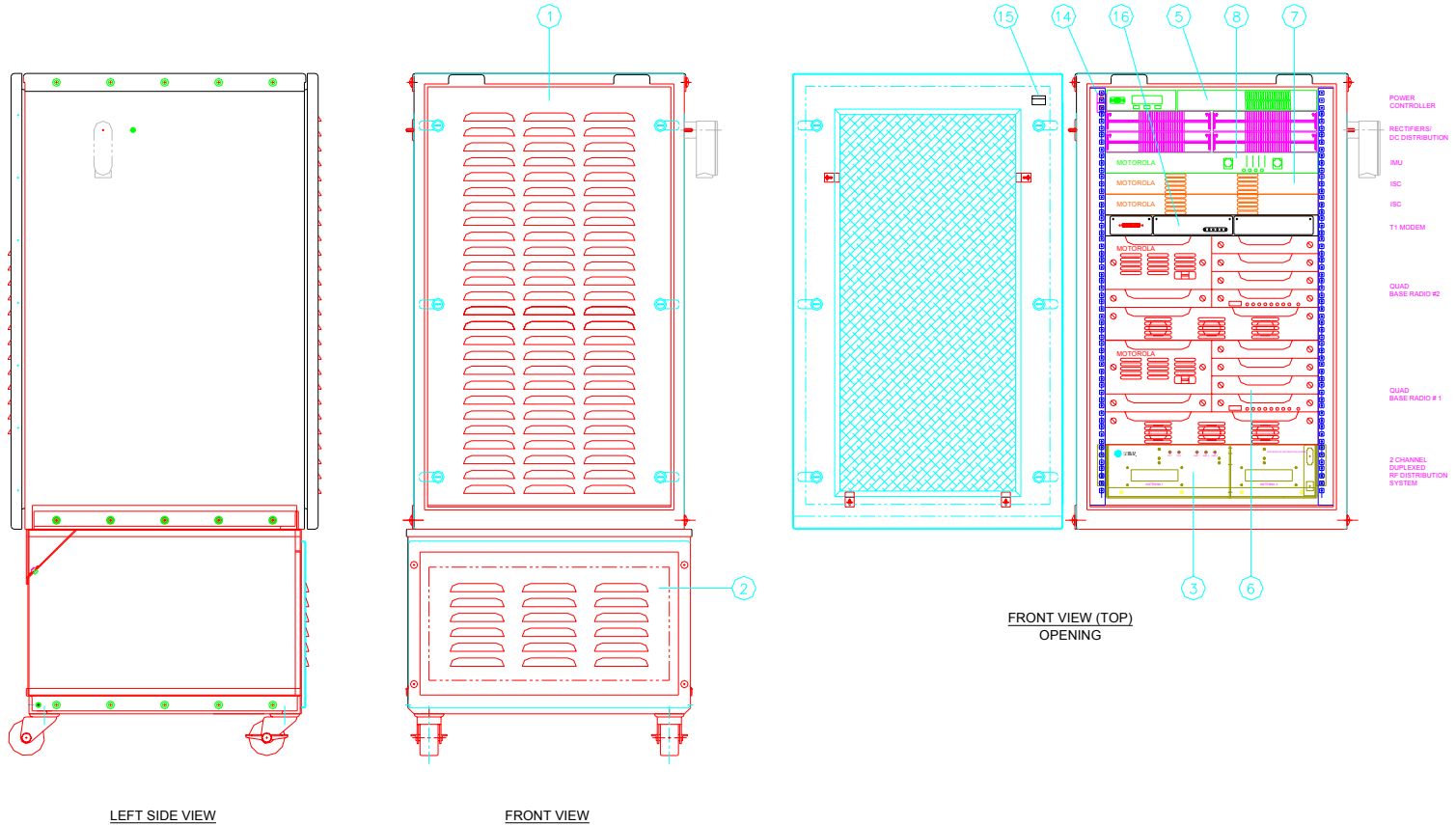
CCI's iDEN Microcell provides EBTS support in tight spaces where a traditional Nextel base station would never fit and at a fraction of the cost of a shelter alone.

The unique outdoor cabinet design allows for multiple configuration and mounting options:

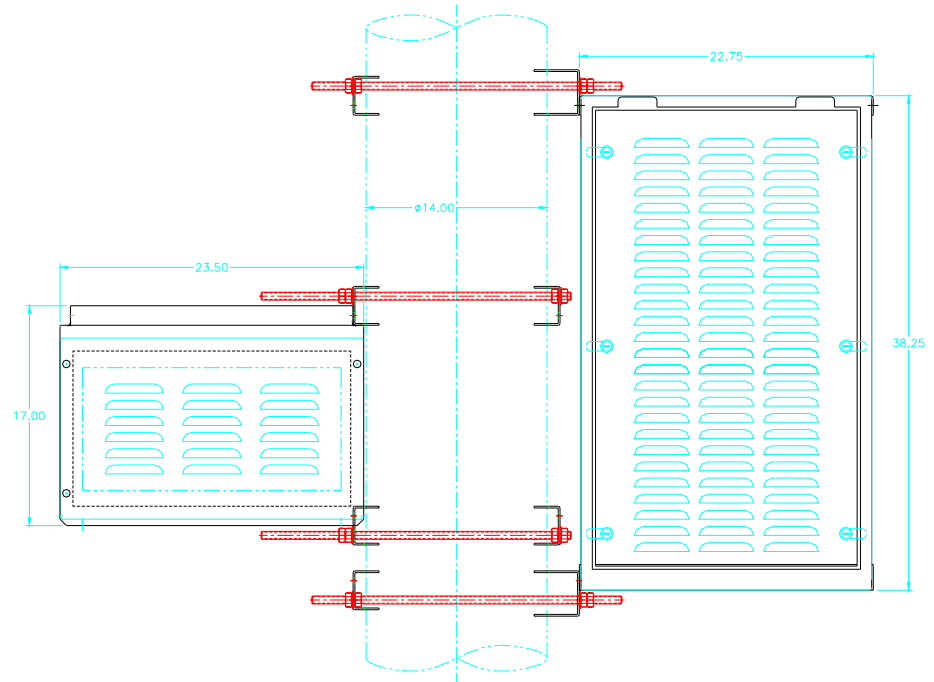
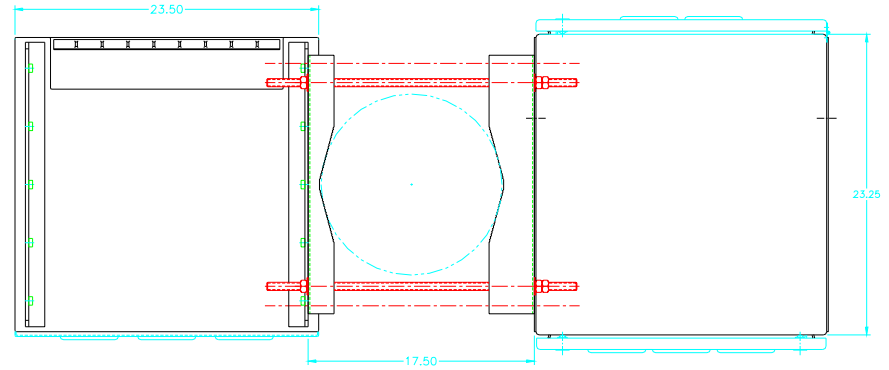
- The lower (battery) and main cabinets can be mounted separately on a pole or pad, for sites where floor or ground space is at a premium.
- The entire unit can be outfitted with wheels for mobility and flexibility.



# Microcell Portable Wheel or Pad Mount Configuration



# Microcell Pole Mount Configuration



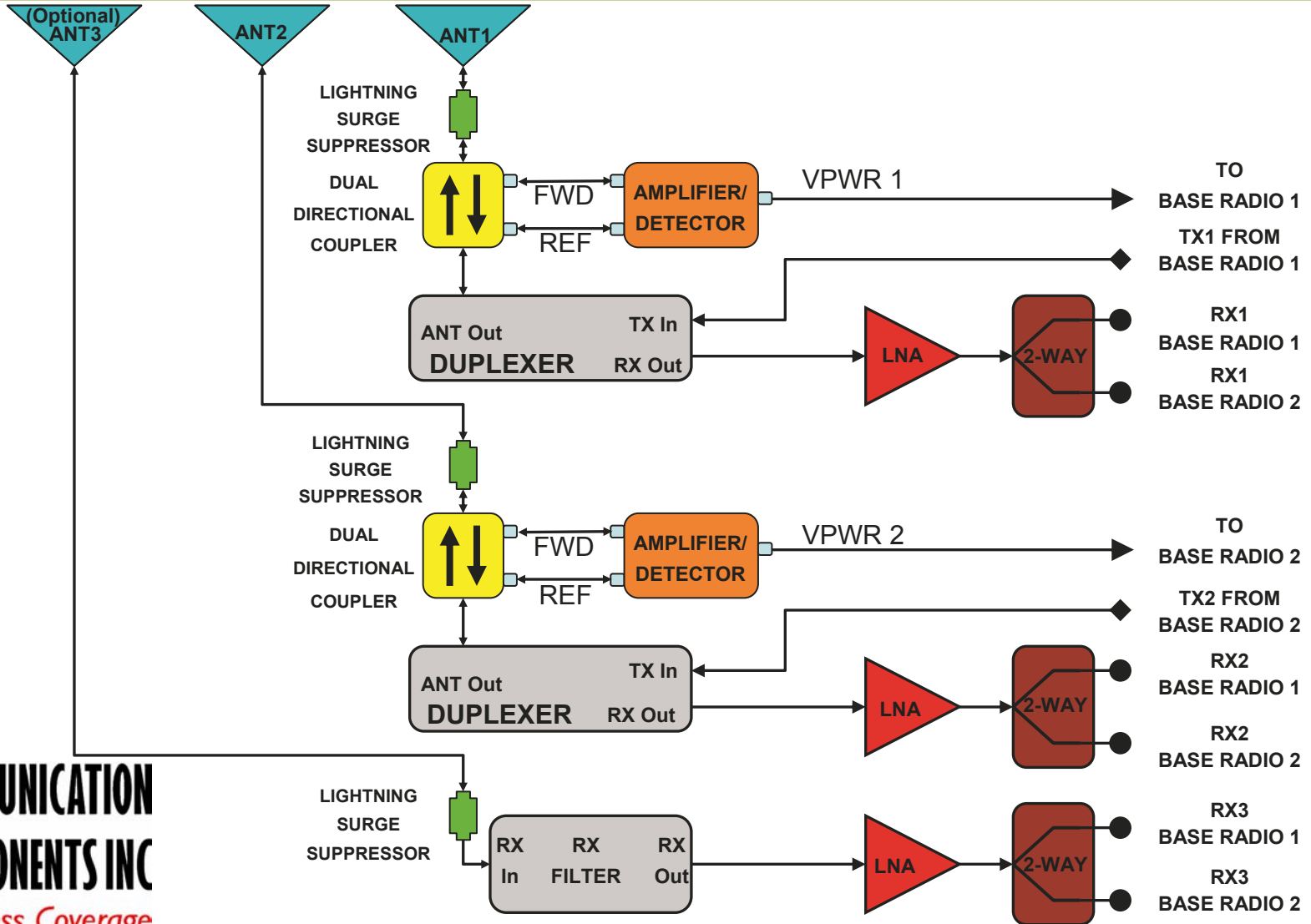
# iDEN Microcell Features

## • **Power Plant**

- Compact design 3U high
- Utilizes the same “*Eltek*” controller as full size Nextel sites.
- Full N+1 redundancy with three 1500W Hot-Swappable DC Rectifier Modules
- PDU (110V/220V) provides 90 AMPs at -48 VDC w/ battery backup
- AC surge protection
- Low voltage disconnect
- Battery enclosure holds 4 12V batteries



# RFDS Block Diagram

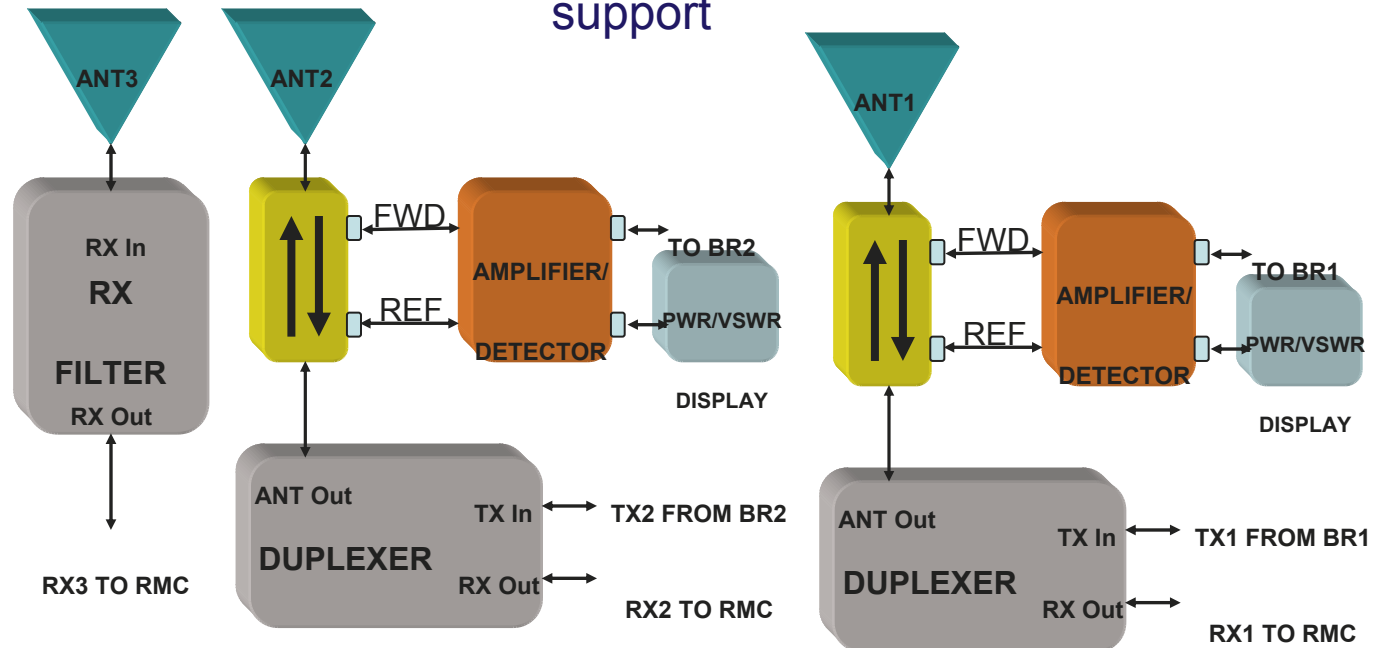


# iDEN Microcell Features

## • RF Distribution System (RFDS)

- Dual duplexers & single Rx filter
- Integrated receiver multi-coupler
  - 1.5dB Noise Figure Low noise Amplifier
  - 10 dB Gain

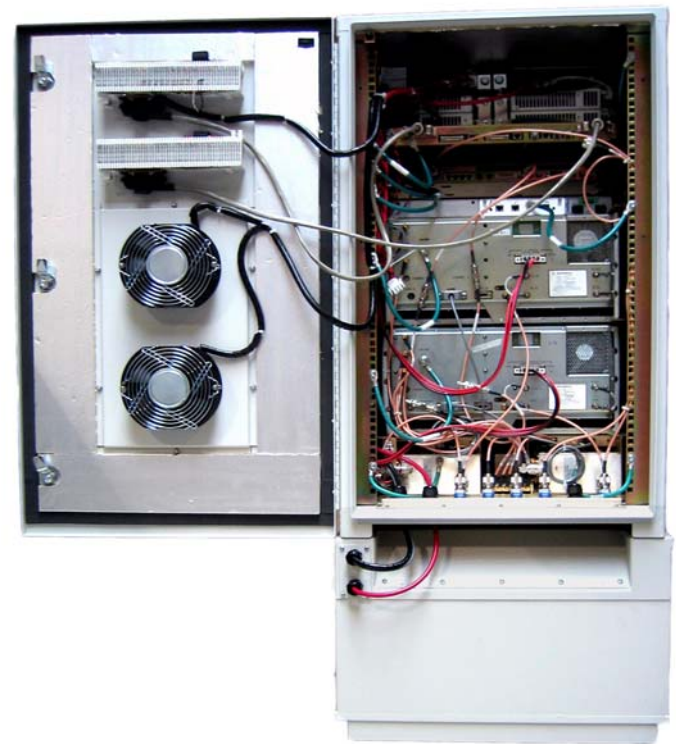
- Backlit LCD front panel displays
  - Forward & Reflected power
  - VSWR
- Supports 2 & 3 branch diversity
- Optional combiner for In-building support



# iDEN Microcell Features cont.

## • **Enclosure**

- Suitable for outdoor & indoor application
- Temperature controlled
  - Dual-redundant temperature controlled exhaust fans
  - Environmental filters
  - Temperature controlled heater
- Alarm function (connects to IMU)
  - Breaker Trip alarm
  - Power supply failure alarm
  - Door open alarm
  - Temperature alarm



# iDEN Microcell Features cont.

***CCI provides everything Nextel needs for the “Cell-to-go” except:***

- Quad radios 1 and 2
- iSC 1 and 2, CSU and IMU
- Batteries

***Need help with Installation? CCI provides - Turn-key Services***

- Microcell Installation only
- Installation w/ radios
- Installation w/ in-building DAS
- Installation with DAS design services